



## Standard Single Gang RJ14 Faceplates



### Applications

These standard single gang RJ14 faceplates provide quick connection and support for CAT3 telephone cabling in situations requiring a flush mount.

### Ordering Information

TYPE	LIGHT ALMOND	IVORY	WHITE
Single RJ-14, Single Gang	XFPOP-01446	XFPOP-00476	XFPOP-00465
Dual RJ-14, Single Gang	XFPOP-01447	XFPOP-00477	XFPOP-00466

### Description / Specifications

Vericom standard RJ14 faceplates are molded out of proprietary impact resistant plastic and are designed to accept RJ-11 or RJ-14 connectors. These faceplates provide quick connection and support for up to four phone lines and are perfect for CAT3 cabling. These faceplates are available in single or dual port and come complete with mounting screws.

### Features & Benefits

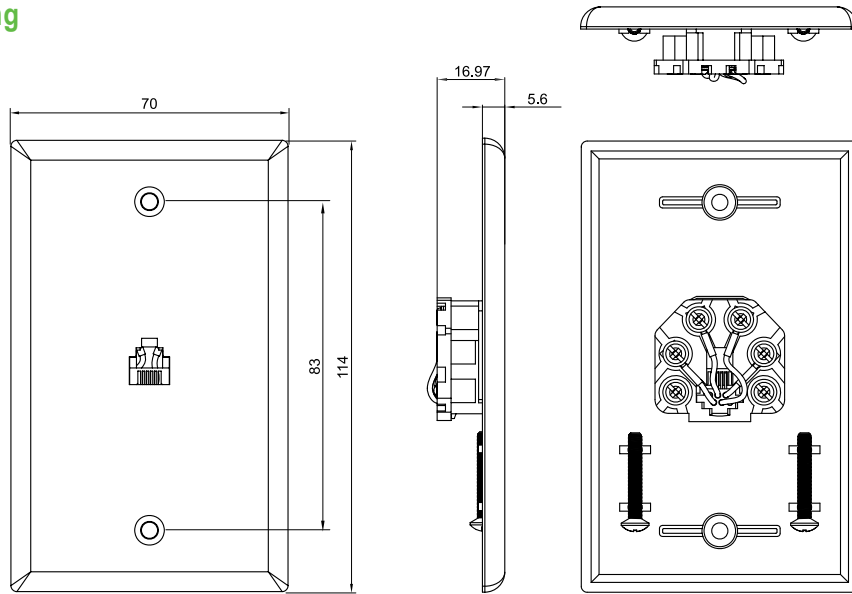
- Compatible with standard RJ-11 or RJ-14 connectors
- Flush mounting for an aesthetic look
- Offered in single or dual port for versatility
- Supports up to four phone lines (*two lines per connector*)
- Includes screws for mounting
- Available in White, Ivory or Light Almond



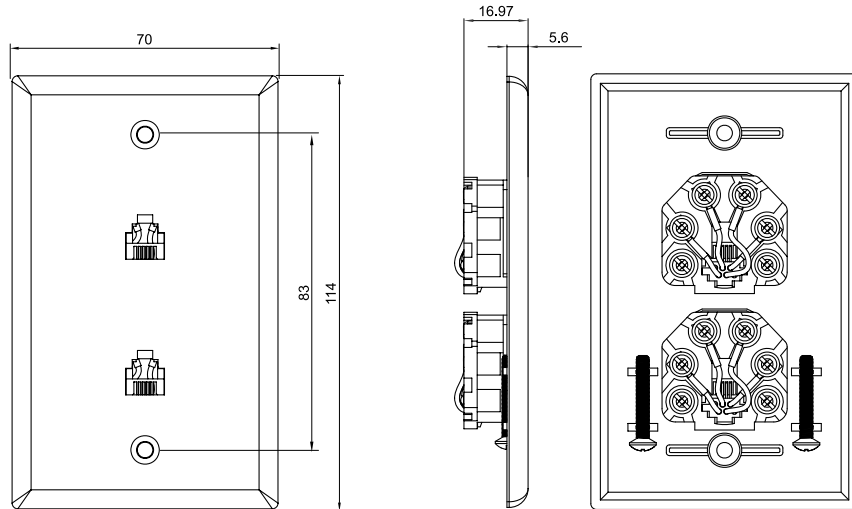
Standard Single Gang RJ14 Faceplates

Technical Drawing

Single RJ-14



Dual RJ-14



Physical Specifications

# of RJ-14 Ports	1 Port	2 Port
Dimensions	114*70*17 mm	114*70*17 mm
Material	High Impact, Fire retardant ABS plastic rated UL94V-0	
Mounting	Screws (Included)	
Color	White, Ivory, or Light Almond (see ordering information)	

TECHNICAL SHEETS ARE SUBJECT TO CHANGE WITHOUT NOTICE.

REV.20250106.3