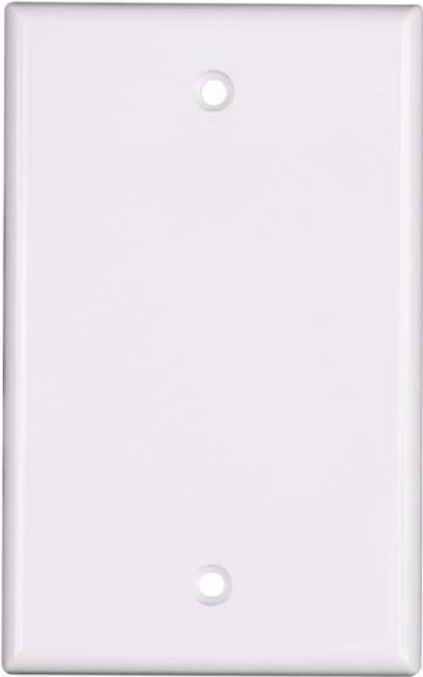


Standard Single Gang Blank Faceplates



Applications

These standard single gang blank faceplates are used for covering junction boxes and are ideal for situations requiring a flush mount.

Ordering Information

TYPE	IVORY	WHITE
Blank Faceplate, Single Gang	XFPOP-01519	XFPOP-01518

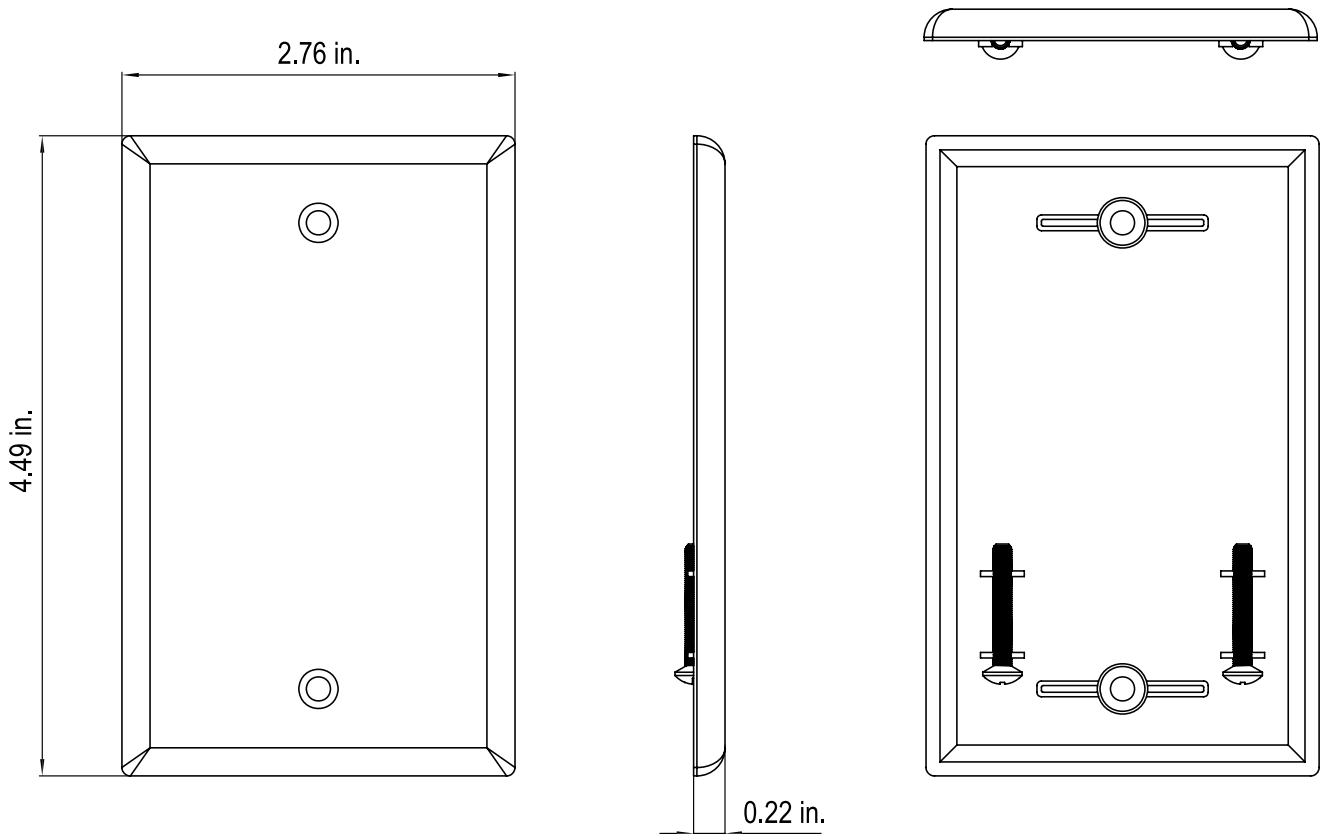
Description / Specifications

Vericom standard single gang blank faceplates are molded out of proprietary impact resistant plastic. These faceplates provide a finished look for unused junction boxes. These faceplates come complete with mounting screws.

Features & Benefits

- Flush mounting for an aesthetic look
- For covering single gang junction boxes
- Includes color matched screws for mounting
- Available in White or Ivory

Technical Drawing



Physical Specifications

Dimensions	114*70*5.6 mm
Material	High Impact, Fire retardant ABS plastic rated UL94V-0
Mounting	Screws (Included)
Color	White or Ivory (see ordering information)