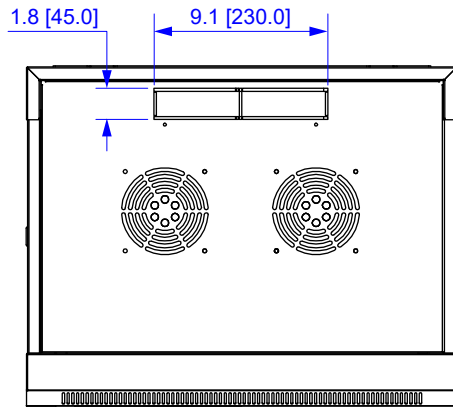
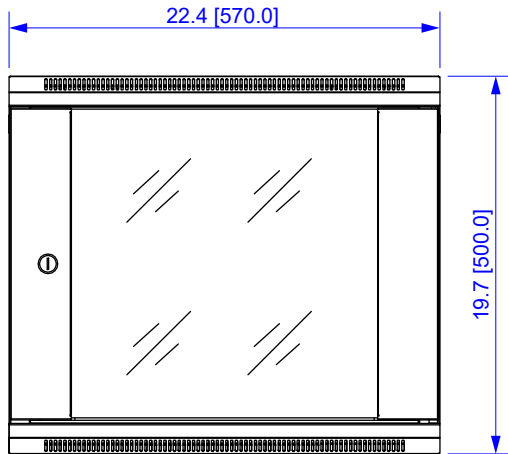
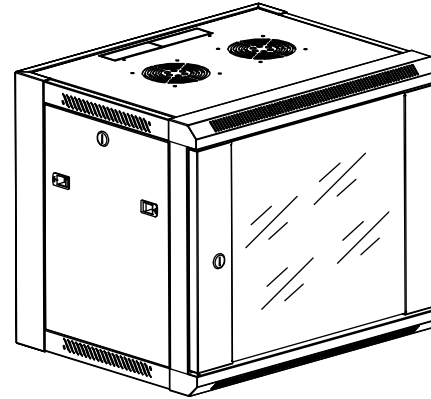


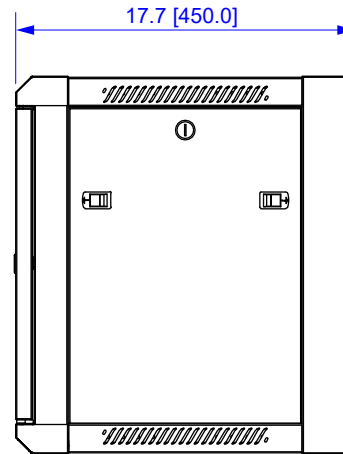
COMPLIANCE	ANSI/EIA RS-310D IEC60297-2 DIN41494; Part 1 DIN41494; Part 7
LOADING CAPACITY	132 lbs.



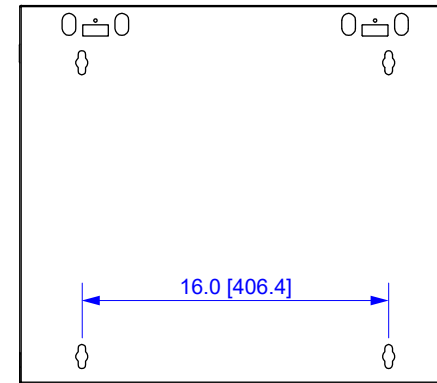
TOP



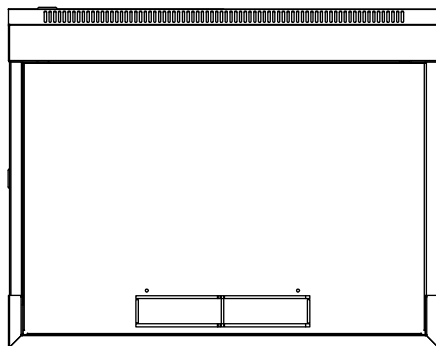
FRONT



SIDE



BACK



BOTTOM

All dimensions in inches [mm]

ITEM NO.	VW8-4091G				
DESCRIPTION	9U WALL CABINET w/GLASS DOOR				
DATE	06/11/2024	SCALE	none	SHEET	1 of 1
				REV	