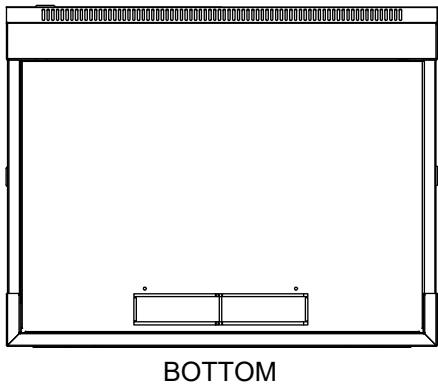
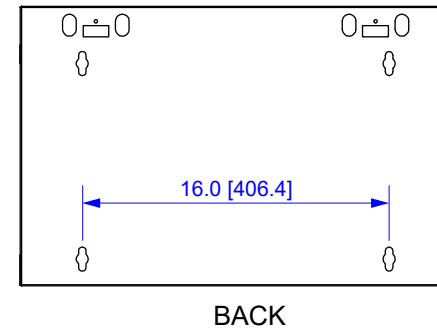
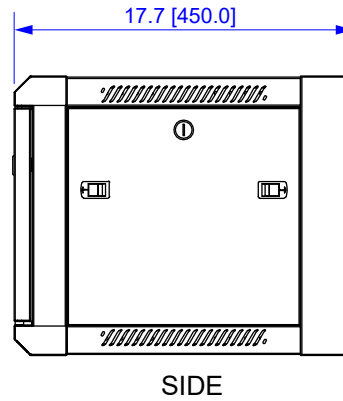
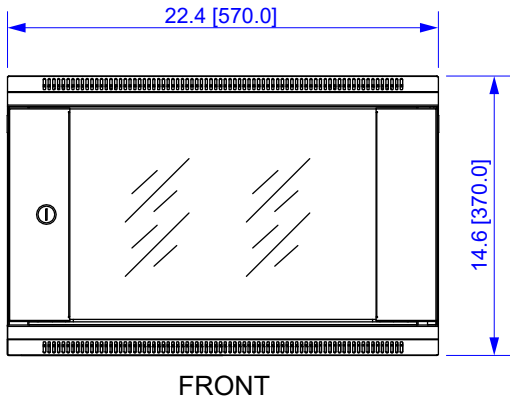
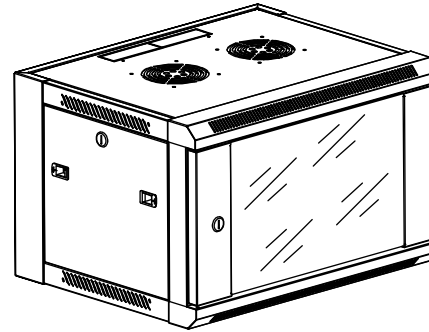
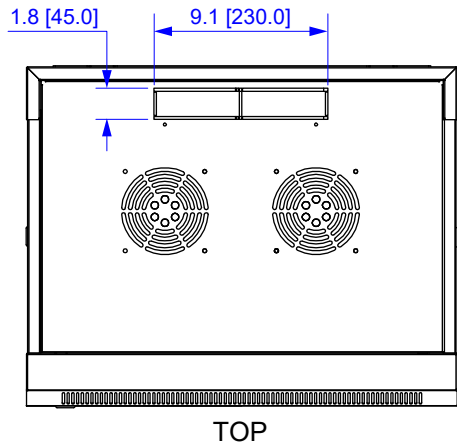


COMPLIANCE	ANSI/EIA RS-310D IEC60297-2 DIN41494; Part 1 DIN41494; Part 7
LOADING CAPACITY	132 lbs.



All dimensions in inches [mm]

ITEM NO.	VW8-4061				
DESCRIPTION	6U WALL CABINET				
DATE	06/11/2024	SCALE	none	SHEET	1 of 1
				REV	