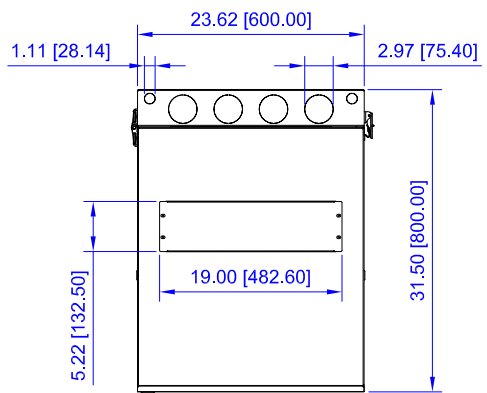
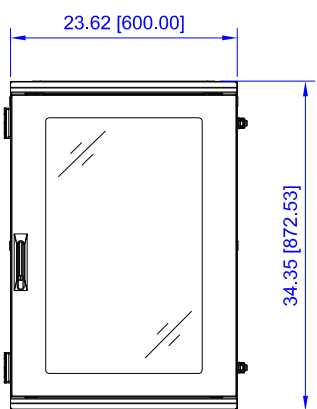


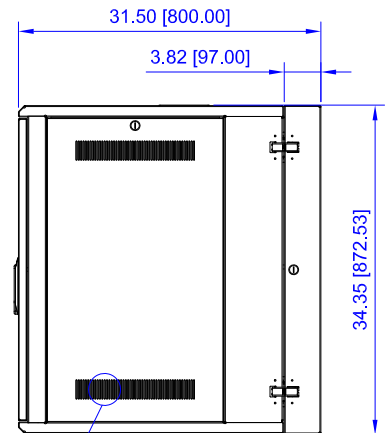
| | |
|------------------|---|
| COMPLIANCE | UL 2416, NWIN ANSI/EIA RS-310D IEC60297-2 DIN41494; Part 1 DIN41494; Part 7 |
| LOADING CAPACITY | 350 lbs |



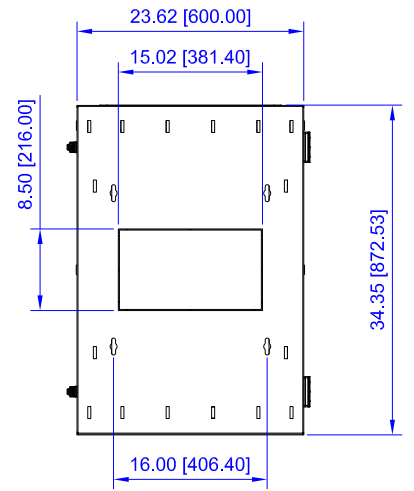
TOP VIEW



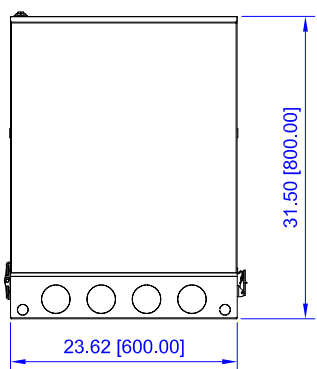
FRONT VIEW



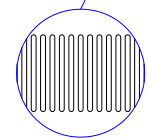
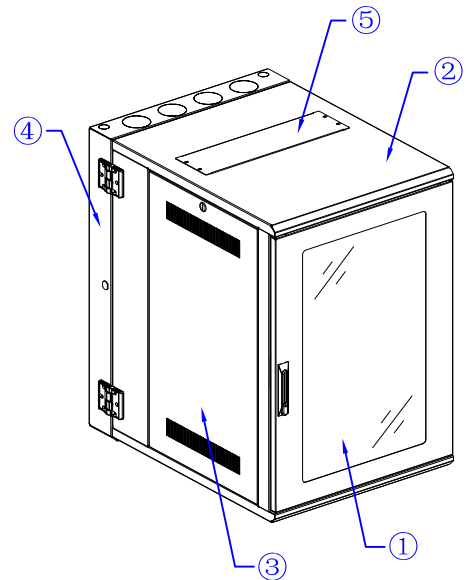
SIDE VIEW



BACK VIEW



BOTTOM VIEW



| NO | QTY | NAME | MATERIAL | THICKNESS |
|----|-----|----------------------|---------------------------|-----------|
| 5 | 1 | 3U Removable Panel | Steel | 18 gauge |
| 4 | 1 | Rear Door | Steel | 14 gauge |
| 3 | 2 | Removable Side Panel | Steel | 19 gauge |
| 2 | 1 | Top | Steel | 14 gauge |
| 1 | 1 | Front Door | Steel with Acrylic Window | 18 gauge |

| | | | | | |
|--------------------------------------|-------|----------|-----|----------------|--|
| ITEM NO. | | VW4-8181 | | VERICOM | |
| DESCRIPTION | | | | | |
| 18U x 32"D HIGH DENSITY WALL CABINET | | | | | |
| DATE | SCALE | SHEET | REV | | |
| 10/29/20 | none | 1 of 1 | 3 | | |

All dimensions in inches [mm]