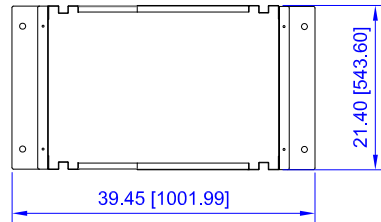
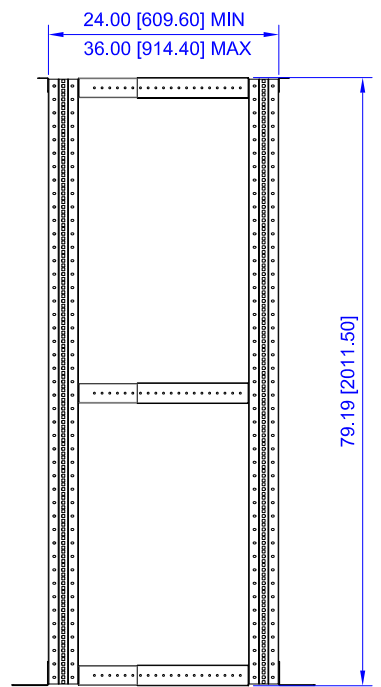


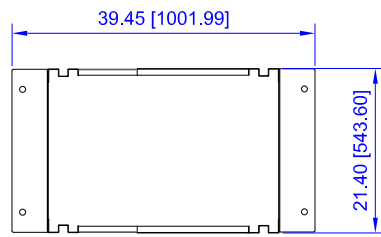
COMPLIANCE	ANSI/EIA RS-310D IEC60297-2 DIN41494; Part 1 DIN41494; Part 7
LOADING CAPACITY	1,000 lbs static load



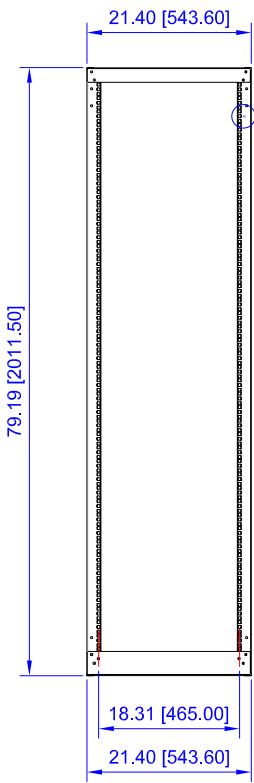
TOP VIEW



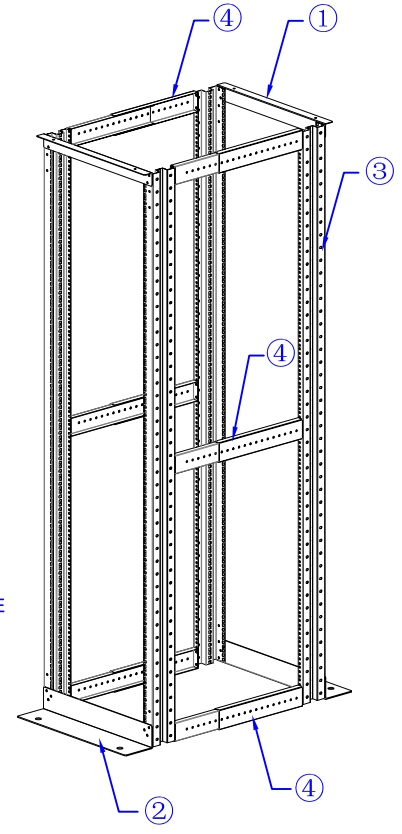
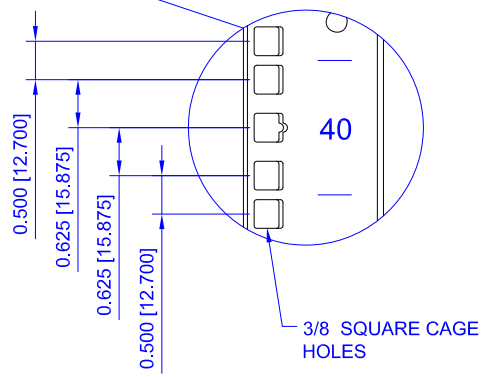
FRONT VIEW



BOTTOM VIEW



SIDE VIEW



4	6	Adjustable Guide Rails	Steel	18 gauge
3	4	Rails	Steel	16 gauge
2	2	Base Plate	Steel	11 gauge
1	2	Top Frame	Steel	14 gauge
NO	QTY	NAME	MATERIAL	THICKNESS

ITEM NO.		VR5-421*		VERICOM [®]	
DESCRIPTION					
42U 4 POST FLEXIBLE DEPTH SERVER RACK					
DATE	SCALE	SHEET	REV		
04/14/20	none	1 of 1	1		

*VR5-421 replaces R4PAD42

All dimensions in inches [mm]