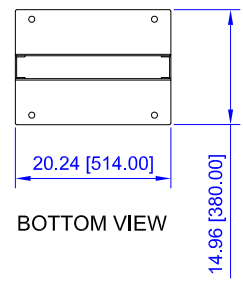
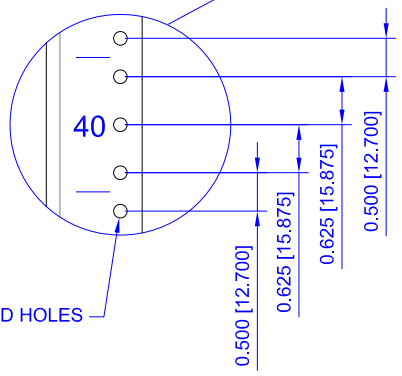
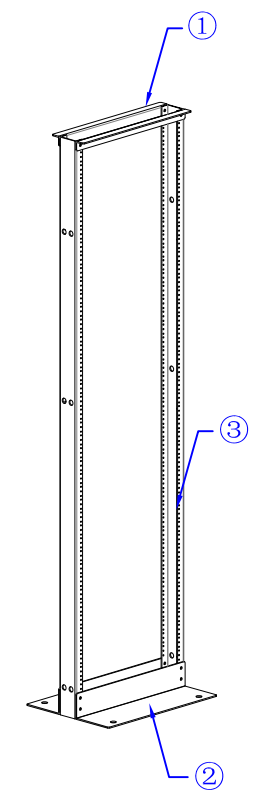
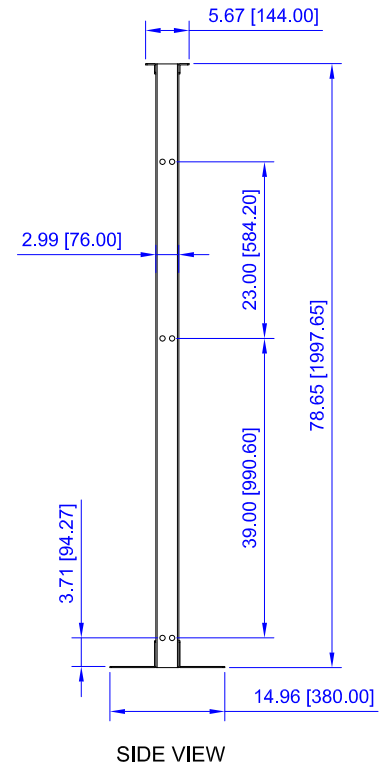
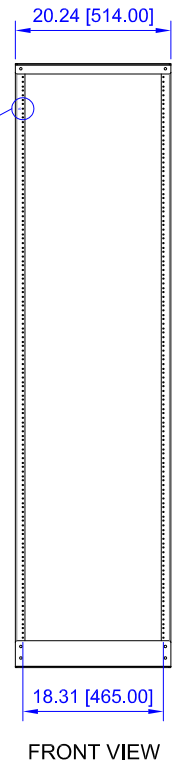
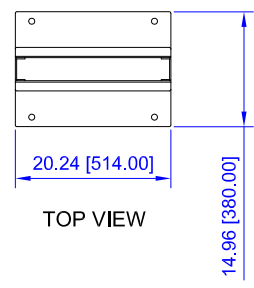


COMPLIANCE	ANSI/EIA RS-310D IEC60297-2 DIN41494; Part 1 DIN41494; Part 7
LOADING CAPACITY	1,000 lbs static load



3	2	Rails	Aluminum	4.0mm
2	2	Base Plate	Aluminum	4.0mm
1	2	Top Frame	Aluminum	4.0mm
NO	QTY	NAME	MATERIAL	THICKNESS

ITEM NO.		VR4-421*		
DESCRIPTION				
42U TWO POST ALUMINUM RACK				
DATE	SCALE	SHEET	REV	
04/14/20	none	1 of 1	1	

\*VR4-421 replaces RR2PA42

All dimensions in inches [mm]