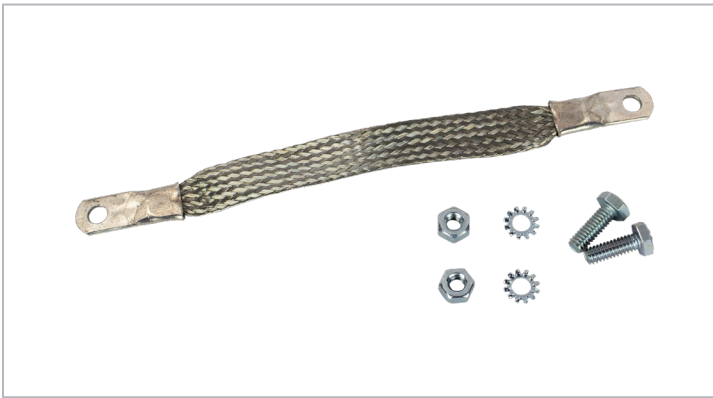




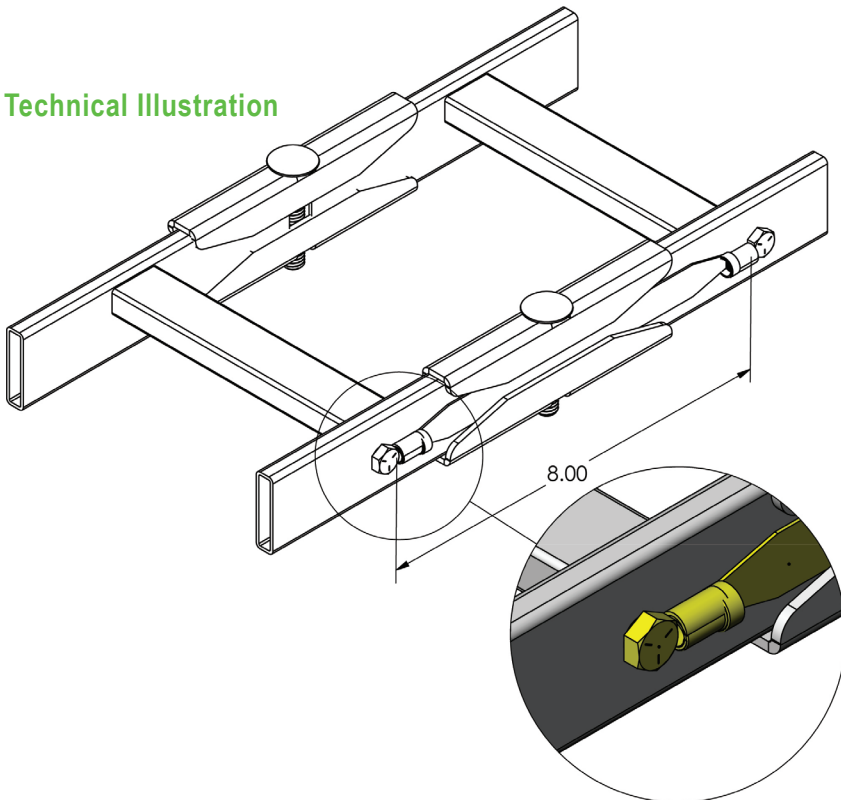
**Grounding Strap Kit**



**Description**

This kit is used to provide grounding across cable ladder splice. Our grounding strap kit consists of 1 grounding strap and 2 hex bolts. Installation requires drilling.

**Technical Illustration**



**Product Specifications**

**Product Type:** Grounding Strap Kit

**Kit Includes:** (1) Grounding Strap, (2) 1/4-20 Hex Bolts

**Compliance & Standards:** RoHs Compliant

**Ordering Information**

Description
Grounding Strap Kit For Cable Runway
Item #
VLR-AGK