



Wall Angle Support Bracket



Description

This support bracket provides perpendicular wall support for cable ladder runway. Our wall angle support bracket consists of a wall angle, J-bolt, and 5/16" hardware. The components are constructed of high strength steel, are RoHS compliant and conform to EIA-310 standards.

Product Specifications

Product Type: Wall Angle Support Bracket

Product Material: High Strength Steel

Product Color: Black (Additional Colors Available Through Special Order)

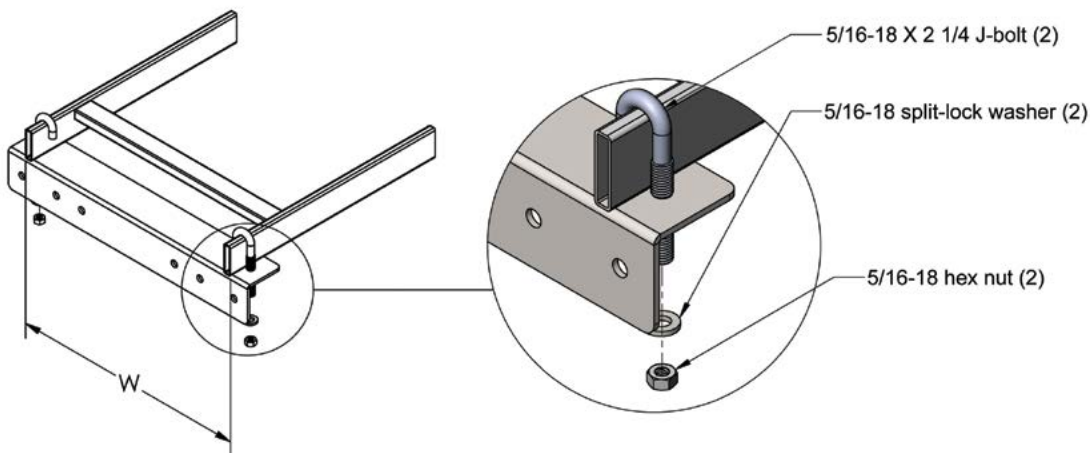
Compliance & Standards: RoHS Compliant and Conforms to EIA-310 Standards

Support Includes: (1) Wall Angle, (2) J-bolts, (2) 5/16-18 Split-Lock Washer, (2) 5/16-18 Hex Nut

Ordering Information

Description	
Wall Angle Support Bracket For Cable Runway	
Item #	Width
VLR-A12WA	12"

Technical Illustration



TECHNICAL SHEETS ARE SUBJECT TO CHANGE WITHOUT NOTICE.

REV.20250114.2