



Side Drop

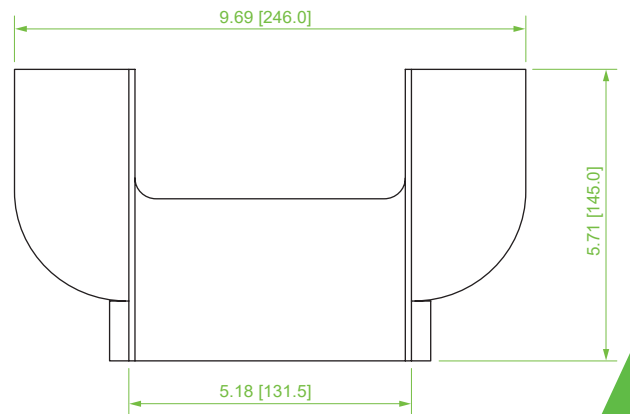
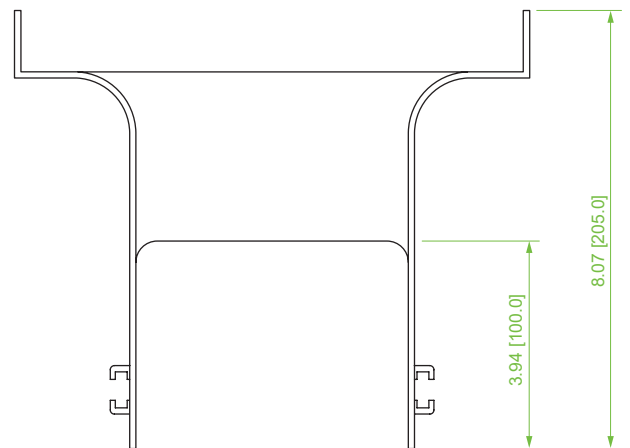


Item Number	Description
VCT-120SD	5"W Side Drop

Description

This Side Drop provides a vertical exit from a horizontal fiber tray run with connection to a 5" vertical channel. Tool-free installation allows this side drop to be located and/or repositioned anywhere along a straight channel section.

- Tool-free installation
- Snap-on cover included
- Maintains minimum cable bend radius requirements



Product Specifications

**Material:** Lightweight, flame-retardant PVC (V-0 rated)

**Color:** Yellow

**Dimensions (L x W x H):** 10.3" x 10.2" x 5.9"

**Weight:** 1.6 lbs

**Hardware:** 2 sets of T-bolts & hex nuts (included)

**Compliance & Standards:** UL2024 & UL94-V0

**Selling Unit:** 1 piece