

2.5" Trumpet Spillout



Product Specifications

Material: Lightweight, flame-retardant PVC (V-0 rated)

Color: Yellow

Dimensions (L x W x H): 5.1" x 5.1" x 2.4"

Weight: 0.1 lbs

Hardware: None required

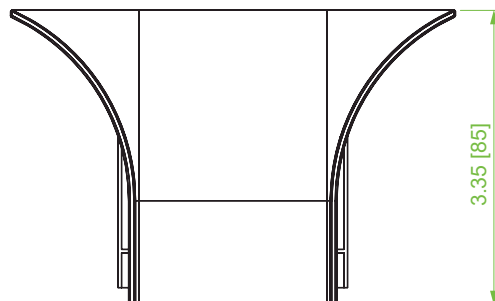
Compliance & Standards: UL2024 & UL94-V0

Selling Unit: 1 piece

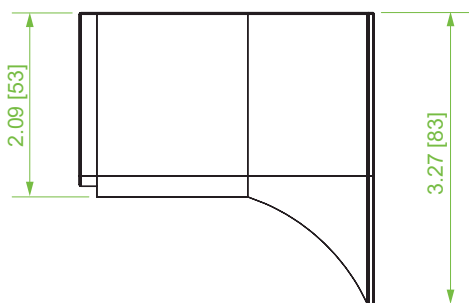
Description

2.5" Trumpet spillouts are used to limit the bend radius of cables to 2" when exiting from a straight channel or other transitional fitting. Completely tool-free installation.

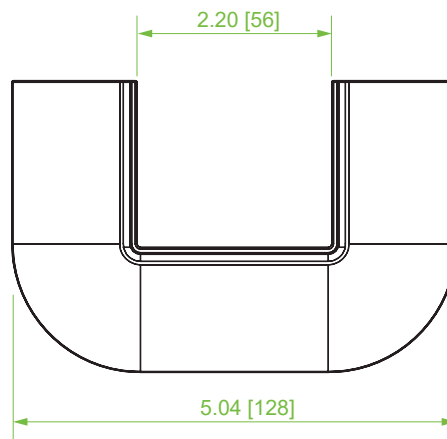
Item Number	Description
VCT-060TS	2.5" Trumpet Spillout



TOP VIEW



SIDE VIEW



BACK VIEW

TECHNICAL SHEETS ARE SUBJECT TO CHANGE WITHOUT NOTICE.

REV.20240904.1