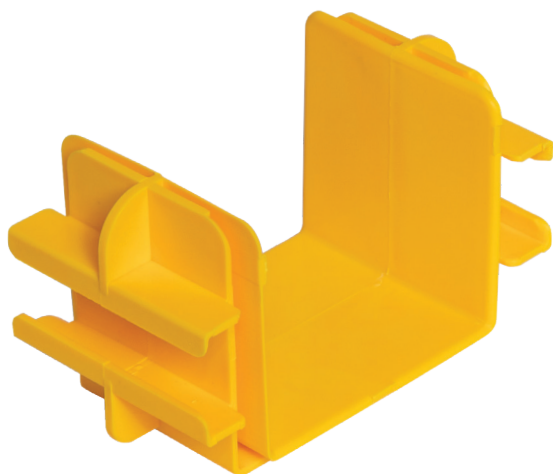


2.5" Coupler



Product Specifications

Material: Lightweight, flame-retardant PVC (V-0 rated)

Color: Yellow

Dimensions (L x W x H): 2" x 3.5" x 2.1"

Weight: 0.1 lbs

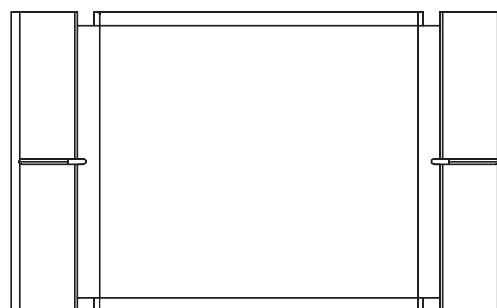
Hardware: No hardware required

Compliance & Standards: UL2024 & UL94-V0

Selling Unit: 1 piece

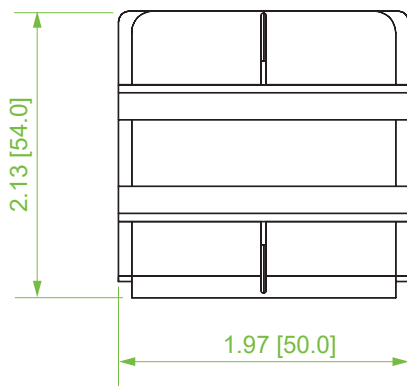
Description

Couplers are used to quickly and easily connect straight channel sections and/or transitional fittings. Completely tool-free installation with no hardware required.

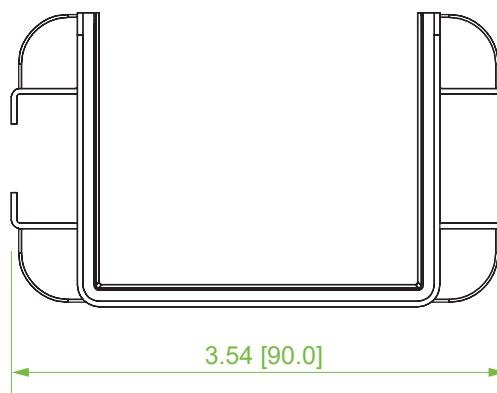


TOP VIEW

Item Number	Description
VCT-060CN	2.5" Coupler



SIDE VIEW



FRONT VIEW