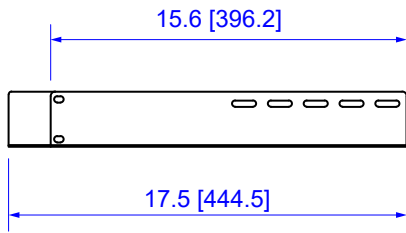


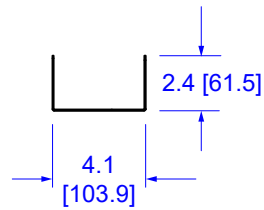
COMPLIANCE	ANSI/EIA RS-310D IEC60297-2 DIN41494; Part 1 DIN41494; Part 7
------------	--



TOP



SIDE

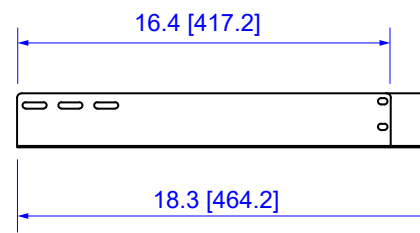


END

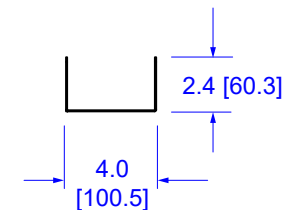
OUTER SECTION



TOP



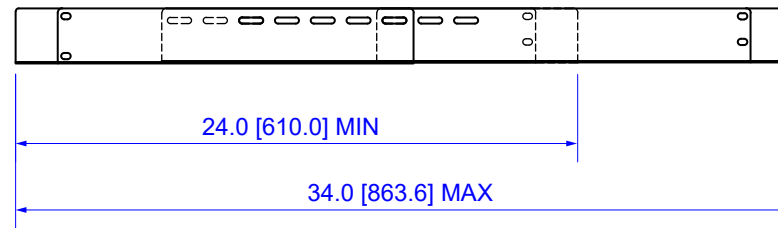
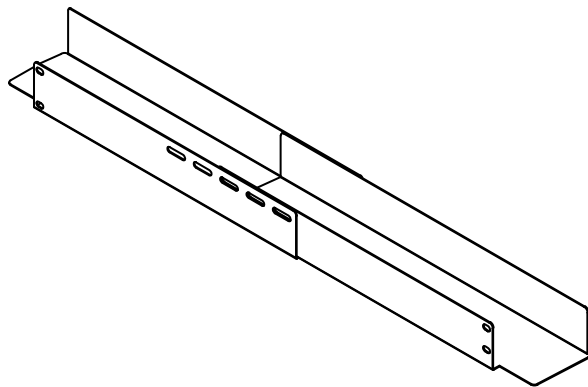
SIDE



END

INNER SECTION

ASSEMBLED VIEW



All dimensions in inches [mm]

ITEM NO.	RACTF2B			
DESCRIPTION	FRONT-TO-BACK CABLE TROUGH			
DATE	SCALE	SHEET	REV	
02/15/2023	none	1 of 1		