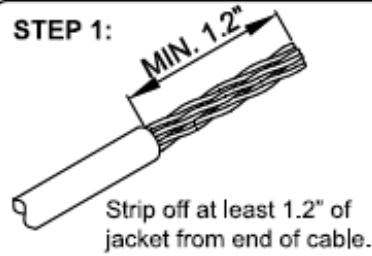
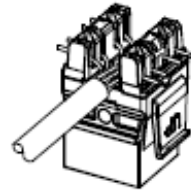


Termination

STEP 1:

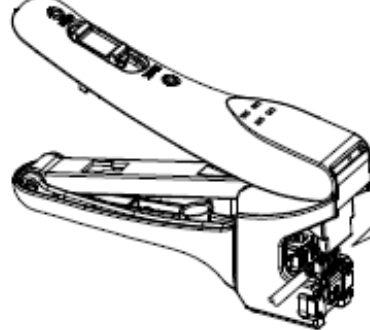


STEP 2:

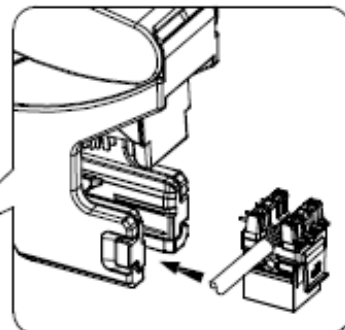


Press the wires through the projecting portion of terminal until fixed. (T568A/T568B)

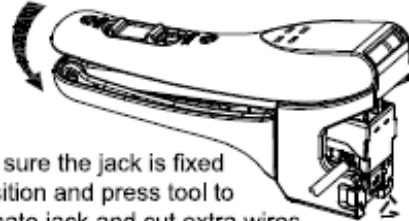
STEP 3:



Insert jack into the tool as shown.

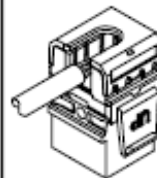


STEP 4:



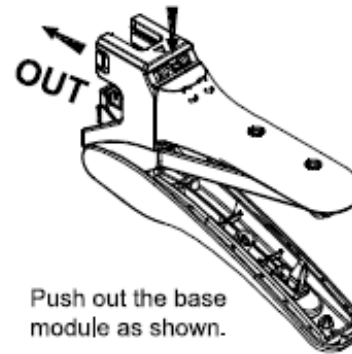
Make sure the jack is fixed in position and press tool to terminate jack and cut extra wires.

STEP 5:

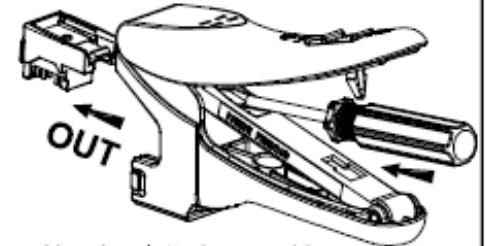


Place termination cap on jack and press to make sure it is fully seated.

Cutting Module Assembly

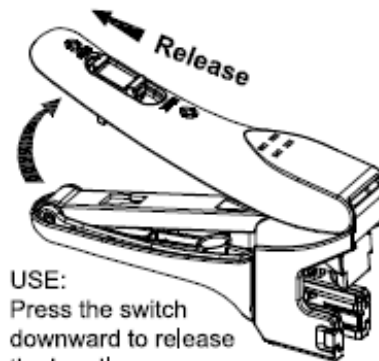


Push out the base module as shown.

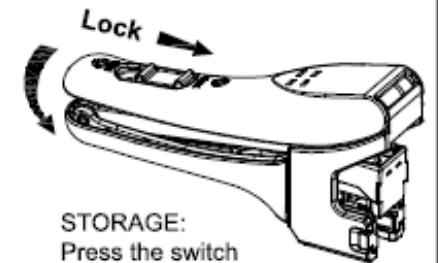


Use the slotted screw driver to push out the cutting module as shown.

Handle Lock



USE:
Press the switch downward to release the handle.



STORAGE:
Press the switch upward to lock the handle.