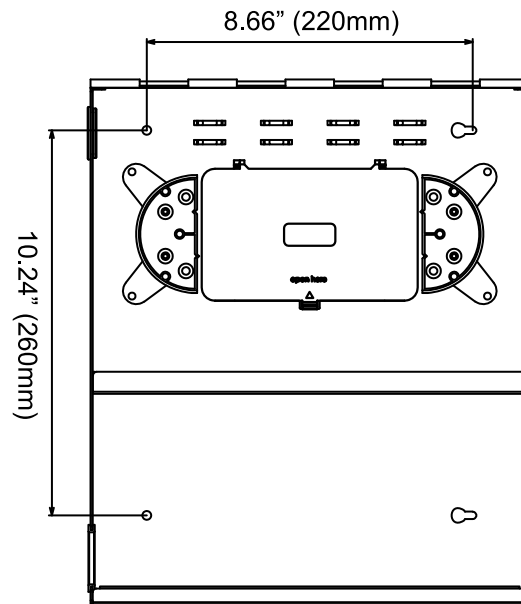
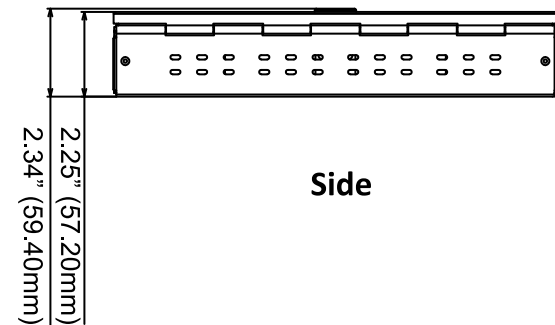


Top



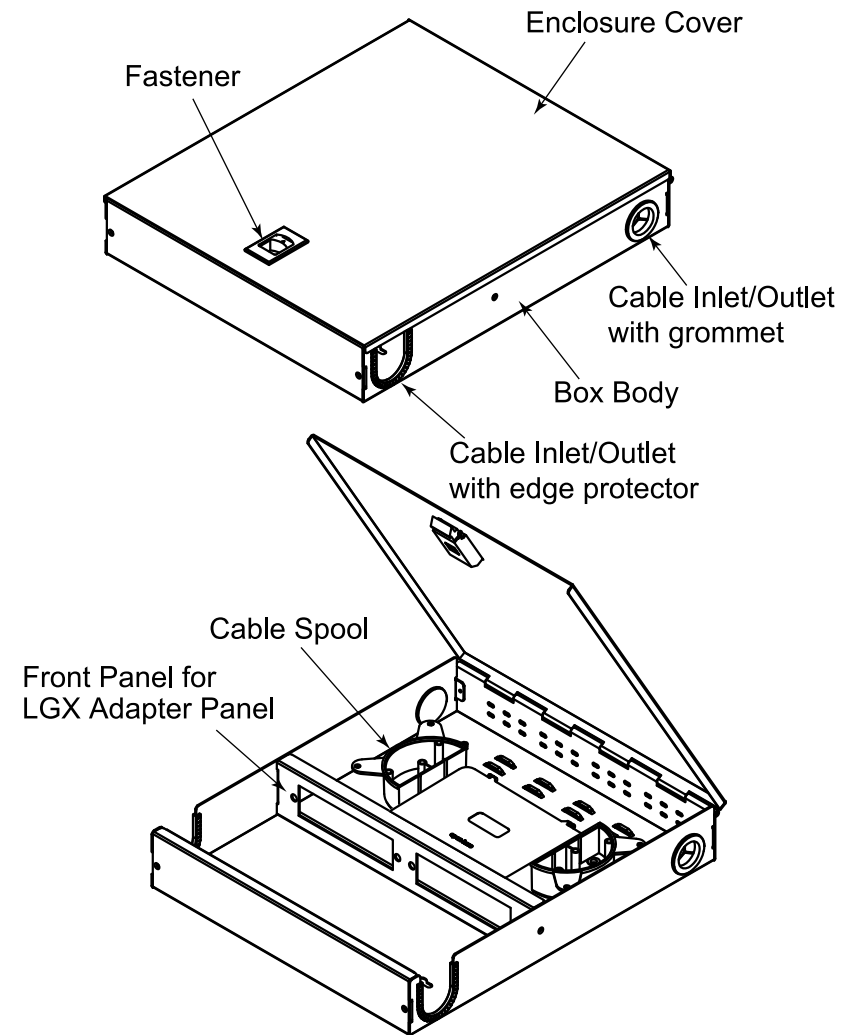
Inside



Side




Back



**SPECIFICATIONS**

1. Surface Finishing: Black powder-coated or customized
2. Material: Aluminum/ cold-roll steel sheet
3. Fiber Adapter Panel: LGX type, max 2 adapter panels loaded
4. Splice Capacity: 24 port (SC, LC, FC, ST), 48 fibers (LC)
5. Cable inlet/ outlet with grommet is suitable for cable with max 24mm diameter
6. Splice trays provided to support 48 fiber splices
7. Splice holder, cable ties, splice protective sleeves not shown, but included

APPROVED			
CHECKED			
DRAWING		<b>Wall Mount Fiber Enclosure, 2 LGX Adapter Panel Type, Single Door</b>	
DATE	11/01/23		
UNLESS OTHERWISE SPECIFIED: DIMENSIONS SHOWN ARE IN [mm]		ITEM NO.	FOWME-1D2P