



Blank Hex Keystone Modular Insert - 10 Pack



Applications

These blank hex keystone modular inserts snap-in to an open keystone port and accept most RCA and F-connectors to create quick and easy connectivity for most audio / video, satellite, cable, and CCTV applications.

Description / Specifications

Vericom blank hex keystone modular inserts are molded out of proprietary impact resistant plastic and accept most RCA and “F” connectors. These modular inserts provide a quick plug and play solution for the support for a single RCA or F-81 coaxial cable connection. These inserts are designed to easily snap-in to a standard keystone module and are sold in packages of 10.

Ordering Information



Description	
Blank Hex Keystone Modular Insert, 10 Pack	
Item No.	Color
XFPAC-01432	White

Features & Benefits

- Compatible with most RCA and “F” connectors
- Provides a clean finished appearance
- For Audio / Video, Satellite TV, Cable TV and CCTV applications
- Modular snap-in/out design for temporary or long-term applications
- Pack of 10
- Available in White

Related Products

Pair Vericom’s *XFPAC-01432* with the following items for wall mounting applications:

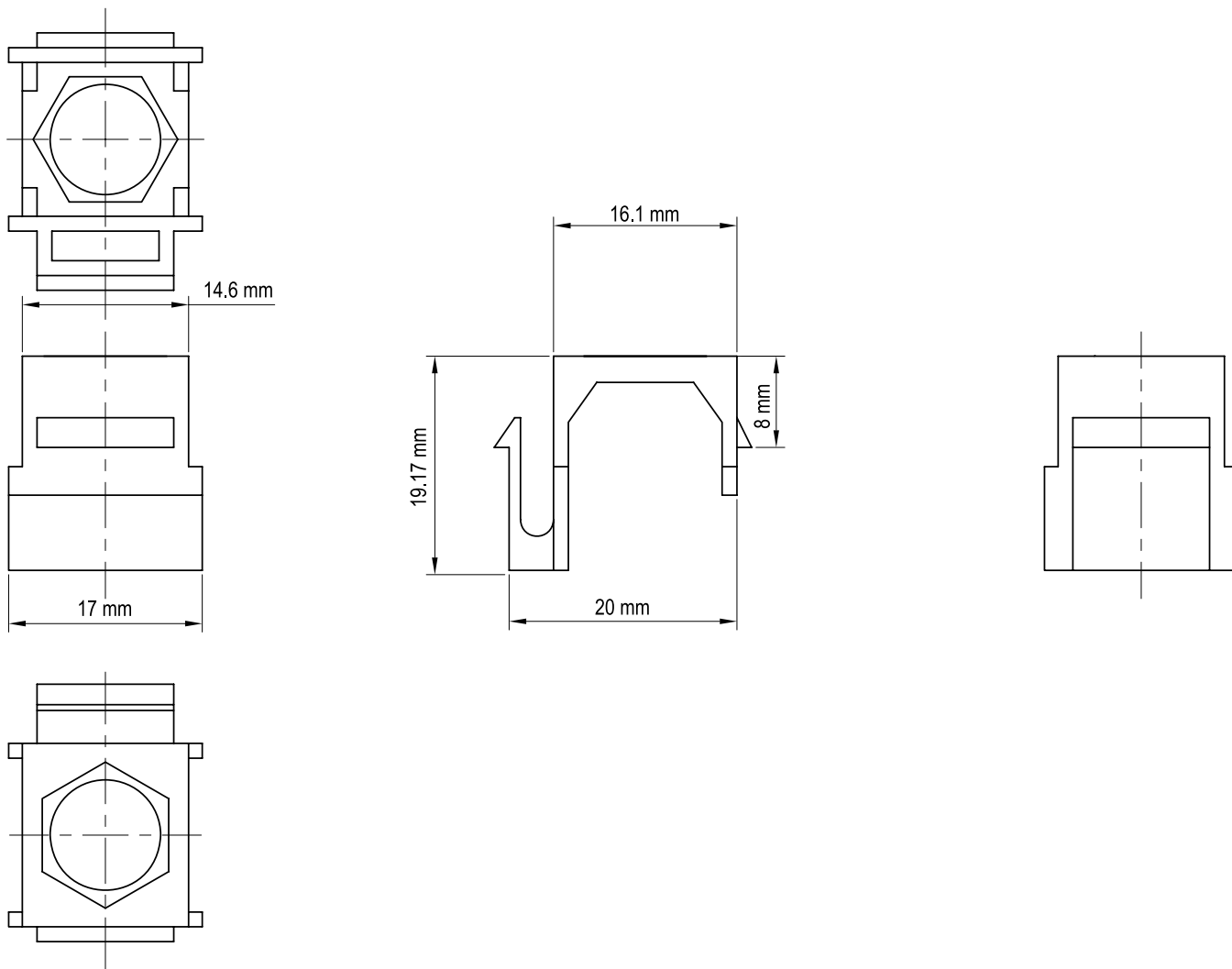
<p>F-81 Barrel Connector- 50 Pc. Bag Insulator Color: White Bandwidth Capability: 0 - 1,000 MHz Item No. <i>WBF81-03562</i></p>	
<p>Single Gang Keystone Wall Plates Available in: White</p> <p><i>*1 Port: Item No. XFPOP-00470</i> <i>2 Port: Item No. XFPOP-00471</i> <i>3 Port: Item No. XFPOP-00472</i> <i>4 Port: Item No. XFPOP-03418</i> <i>6 Port: Item No. XFPOP-03421</i></p>	

* Pictured



Blank Hex Keystone Modular Insert - 10 Pack

Technical Drawing



Physical Specifications

Dimensions	19.17*17*20 mm
Material	High Impact, Fire retardant ABS plastic rated UL94V-0
Mounting	Snap-In / Out
Color	White

TECHNICAL SHEETS ARE SUBJECT TO CHANGE WITHOUT NOTICE.

REV.20250107.2