



Category 6A RJ45 Clear Connectors



Features & Benefits

- Suitable for CAT6A unshielded installations
- Terminates 22-26 AWG stranded or solid conductors
- High-impact clear polycarbonate plugs
- 50u" gold plated contacts
- Packaging: Bag of 50

Construction

Body Material: Polycarbonate
Contact Material: Gold Plated Brass

Mechanical

Wire Compatibility: 22 - 26 AWG Solid or Stranded
Insulation Resistance: Min 1000 megaohms
Standing Voltage: 1000V AC/ minute
Mating Life Cycle: Min 1000 cycles

Ordering Information

Description	
Category 6A RJ45 Clear Connectors	
Item Number	Packaging
WRJ45-04469	Bulk (50 Per Bag)

Applications

These Category 6A RJ45 connectors are used for crimping and terminating 10GBASE-T Ethernet Cables. This plug is suitable for use with unshielded Category 6A cable.

Description / Specifications

These RJ45 unshielded connectors are composed of a polycarbonate material body, with gold plated contacts, and are suitable for use with Category 6A 22 - 26 AWG solid and stranded conductors. These connectors are available in a bag of 50.

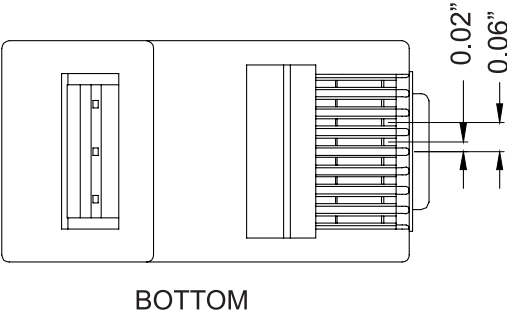
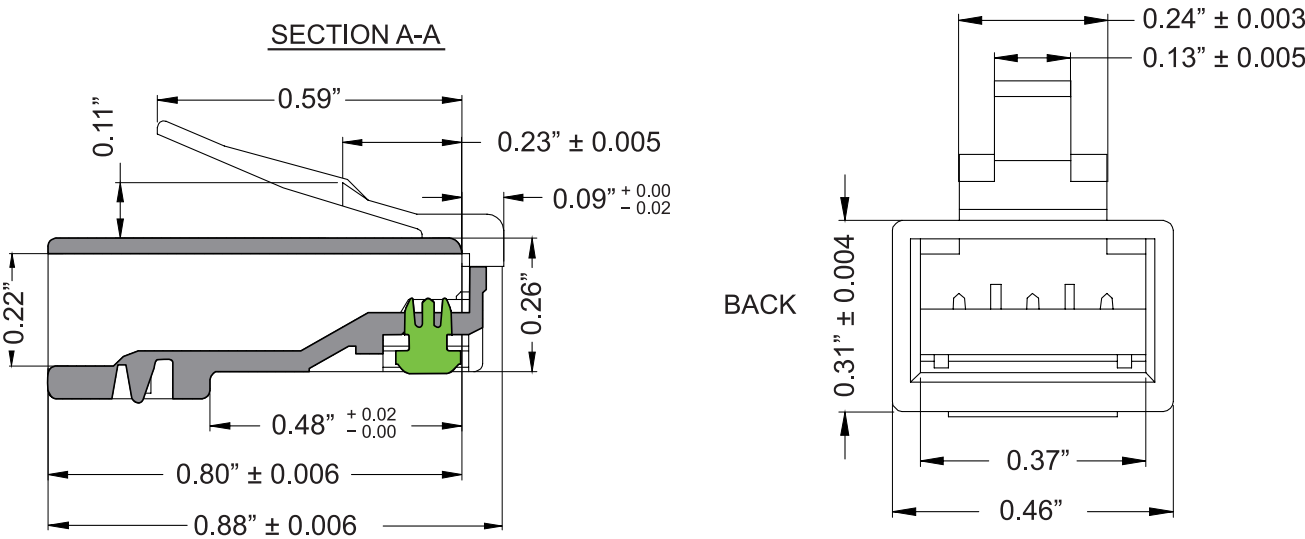
Pair with our Modular Plug Crimping Tool (*Item # WTRJC-03632*) for professional, consistent and repeatable terminations.



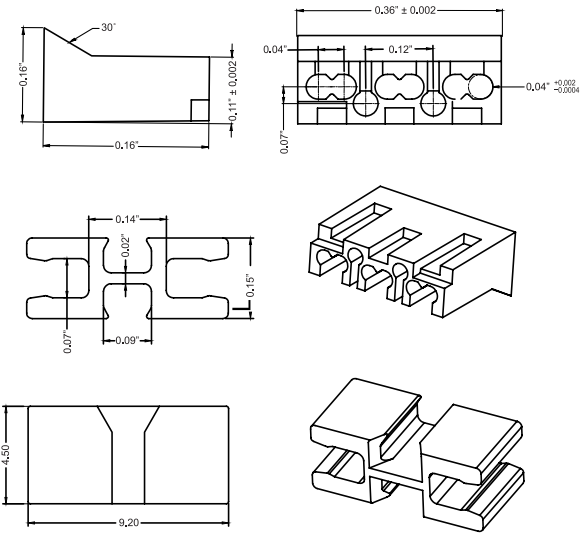


Category 6A RJ45 Clear Connectors

Technical Illustration



LOAD BAR ASSEMBLY



TECHNICAL SHEETS ARE SUBJECT TO CHANGE WITHOUT NOTICE.

REV.20250106.3