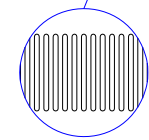
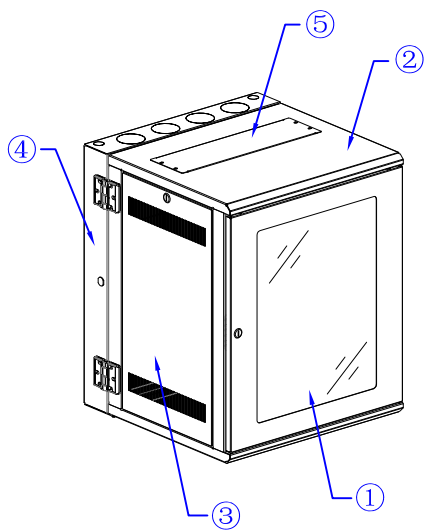
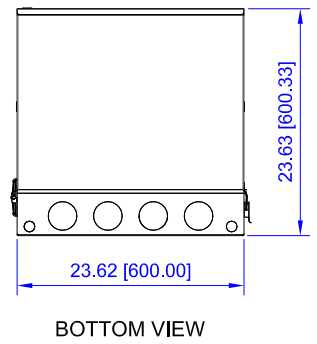
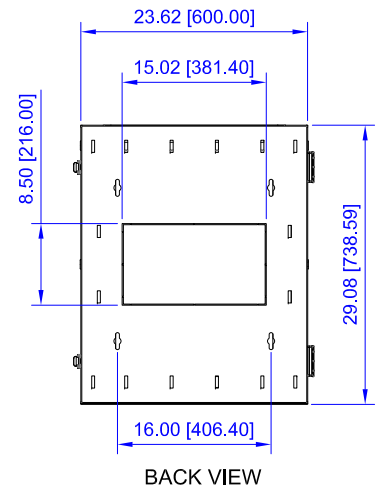
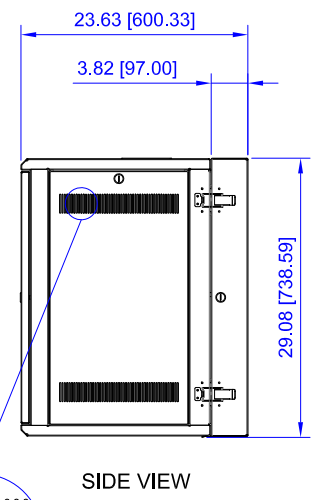
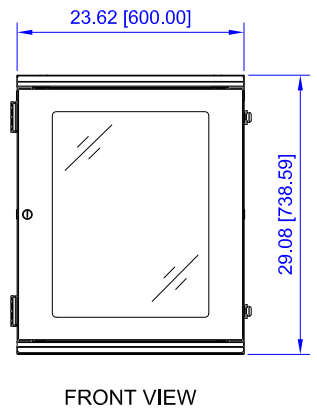
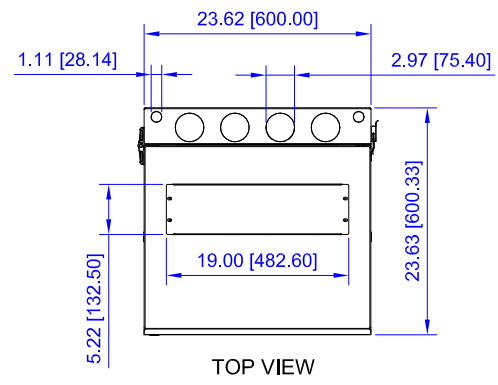


COMPLIANCE	ANSI/EIA RS-310D IEC60297-2 DIN41494; Part 1 DIN41494; Part 7
LOADING CAPACITY	250 lbs



5	1	3U Removable Panel	Steel	18 gauge
4	1	Rear Door	Steel	14 gauge
3	2	Removable Side Panel	Steel	19 gauge
2	1	Top	Steel	14 gauge
1	1	Front Door	Steel with Acrylic Window	18 gauge
NO	QTY	NAME	MATERIAL	THICKNESS

ITEM NO.		RWCHW15		VERICOM	
DESCRIPTION					
15U HIGH DENSITY WALL CABINET					
DATE	SCALE	SHEET	REV		
11/14/18	none	1 of 1	1		

All dimensions in inches [mm]