
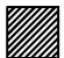








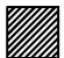
















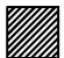












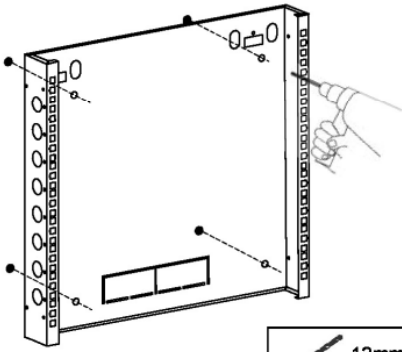
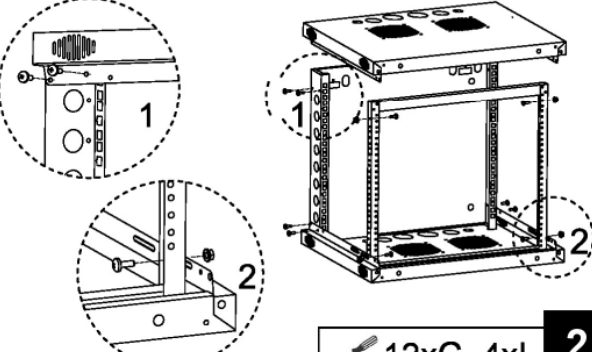
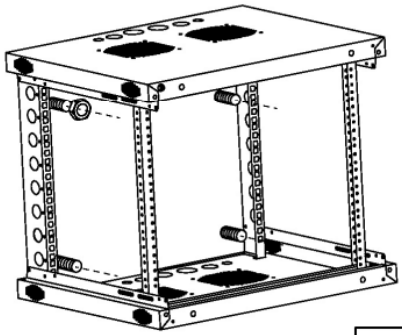
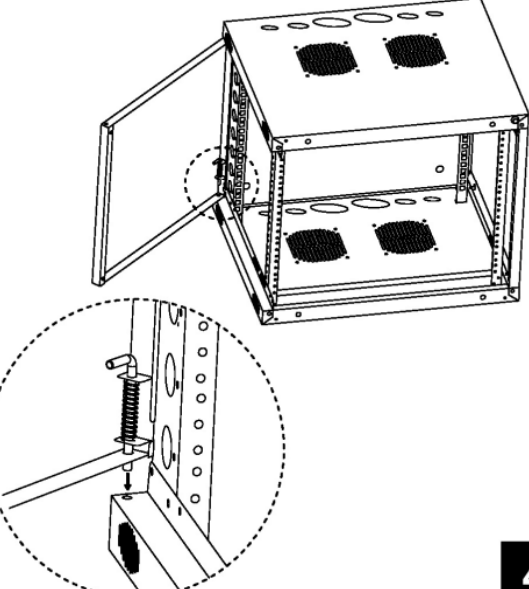
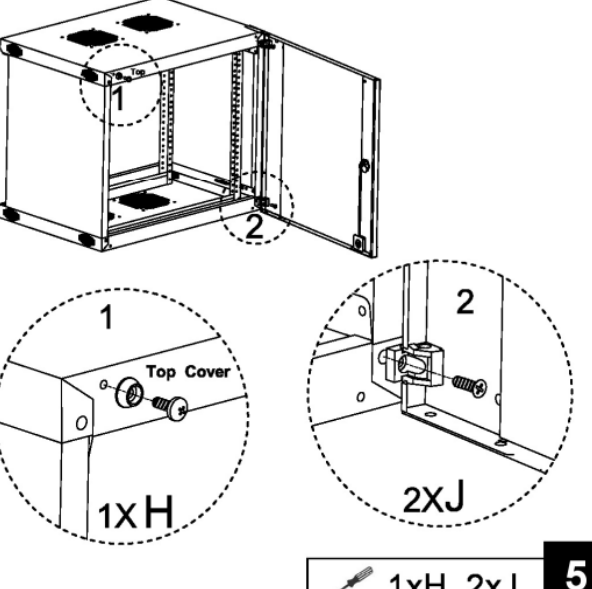
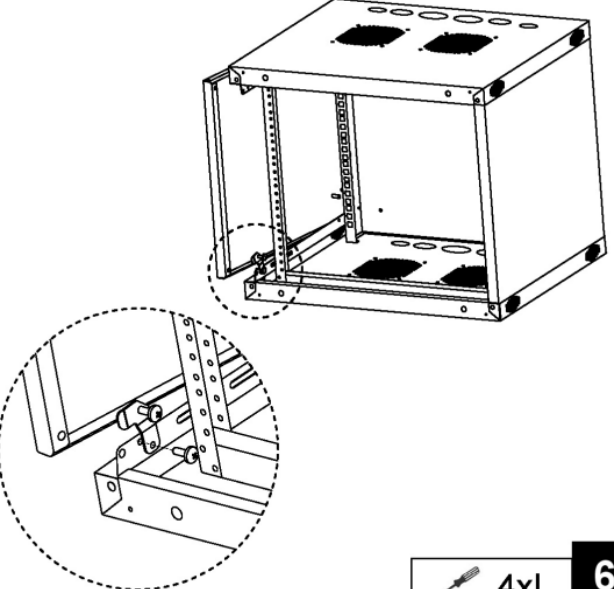


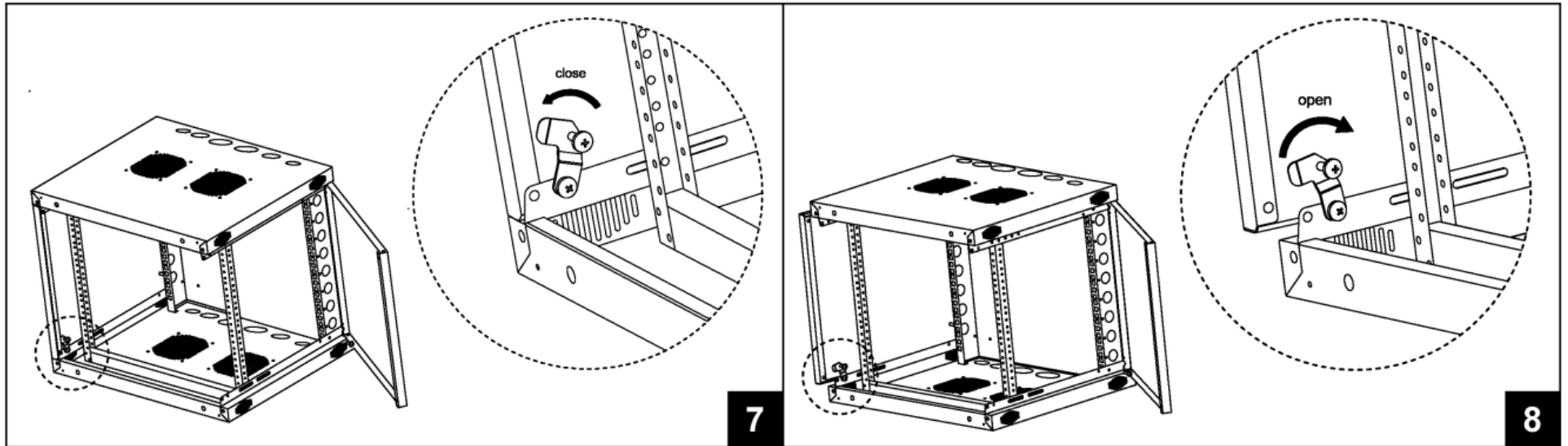
# SINGLE SECTION WALL MOUNT CABINET

## Assembly and Installation Instructions

 <p><b>Max 132 lbs</b></p>	<p align="center"><b>SUPPLIED PARTS AND HARDWARE</b></p> <table border="1"> <tr> <td></td> <td></td> <td></td> <td></td> <td></td> <td></td> <td></td> <td></td> <td></td> </tr> <tr> <td>1X Usage instruction</td> <td>48x 10-32 screw &amp; washer</td> <td>15x M5x10mm screw</td> <td>1x Guide piece 1x M4x10mm screw</td> <td>4x M5 nut</td> <td>2x M5x14mm screw</td> <td>2x Key</td> <td>4x Baffle</td> <td>1X Label</td> </tr> <tr> <td><b>E</b></td> <td><b>F</b></td> <td><b>G</b></td> <td><b>H</b></td> <td><b>I</b></td> <td><b>J</b></td> <td><b>K</b></td> <td><b>L</b></td> <td><b>M</b></td> </tr> </table>																		1X Usage instruction	48x 10-32 screw & washer	15x M5x10mm screw	1x Guide piece 1x M4x10mm screw	4x M5 nut	2x M5x14mm screw	2x Key	4x Baffle	1X Label	<b>E</b>	<b>F</b>	<b>G</b>	<b>H</b>	<b>I</b>	<b>J</b>	<b>K</b>	<b>L</b>	<b>M</b>	<p align="center"><b>Required for installation</b></p> <table border="1"> <tr> <td></td> <td></td> <td></td> <td></td> </tr> <tr> <td>drill</td> <td>12mm drill bit</td> <td>screwdriver</td> <td>M8 expansion bolt</td> </tr> </table>								drill	12mm drill bit	screwdriver	M8 expansion bolt
																																																
1X Usage instruction	48x 10-32 screw & washer	15x M5x10mm screw	1x Guide piece 1x M4x10mm screw	4x M5 nut	2x M5x14mm screw	2x Key	4x Baffle	1X Label																																								
<b>E</b>	<b>F</b>	<b>G</b>	<b>H</b>	<b>I</b>	<b>J</b>	<b>K</b>	<b>L</b>	<b>M</b>																																								
																																																
drill	12mm drill bit	screwdriver	M8 expansion bolt																																													
 <p align="right"><b>1</b></p>			 <p align="right"><b>2</b></p>			 <p align="right"><b>3</b></p>																																										
 <p align="right"><b>4</b></p>			 <p align="right"><b>5</b></p>			 <p align="right"><b>6</b></p>																																										

# SINGLE SECTION WALL MOUNT CABINET

## Assembly and Installation Instructions



## Grounding Instructions

