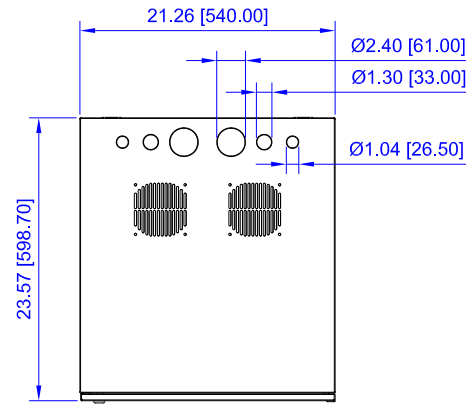
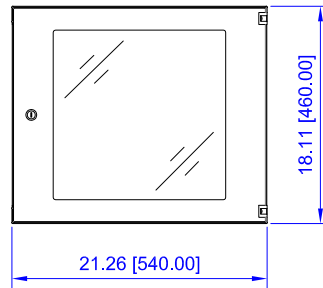
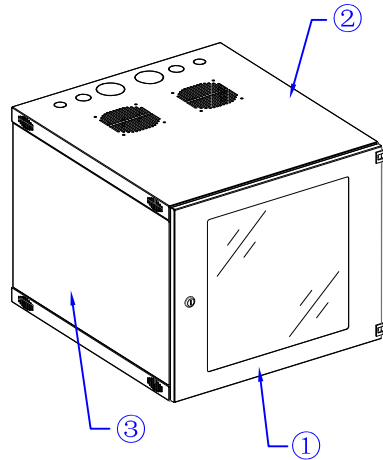


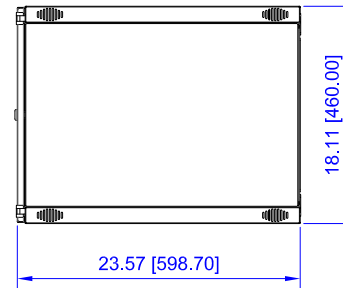
COMPLIANCE	ANSI/EIA RS-310D IEC60297-2 DIN41494; Part 1 DIN41494; Part 7
LOADING CAPACITY	132 lbs



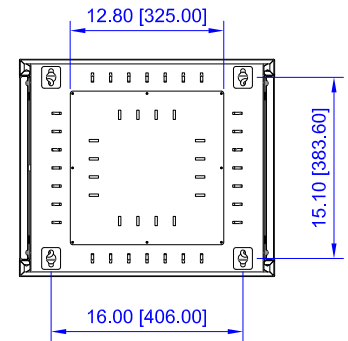
TOP VIEW



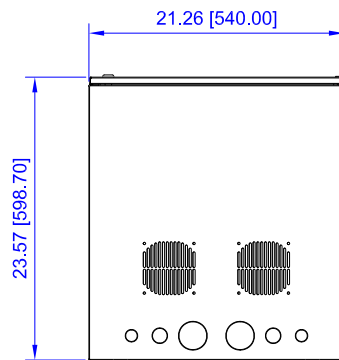
FRONT VIEW



SIDE VIEW



BACK VIEW



BOTTOM VIEW

3	2	Side Panel	Steel	19 gauge
2	2	Top And Bottom	Steel	19 gauge
1	1	Front Door	Steel with Acrylic Window	19 gauge
NO	QTY	NAME	MATERIAL	THICKNESS

ITEM NO.		VW3-6091*	VERICOM [®]	
DESCRIPTION		9U FIXED WALL CABINET		
DATE	SCALE	SHEET	REV	
04/14/20	none	1 of 1	1	

*VW3-6091 replaces RWCSF09

All dimensions in inches [mm]