



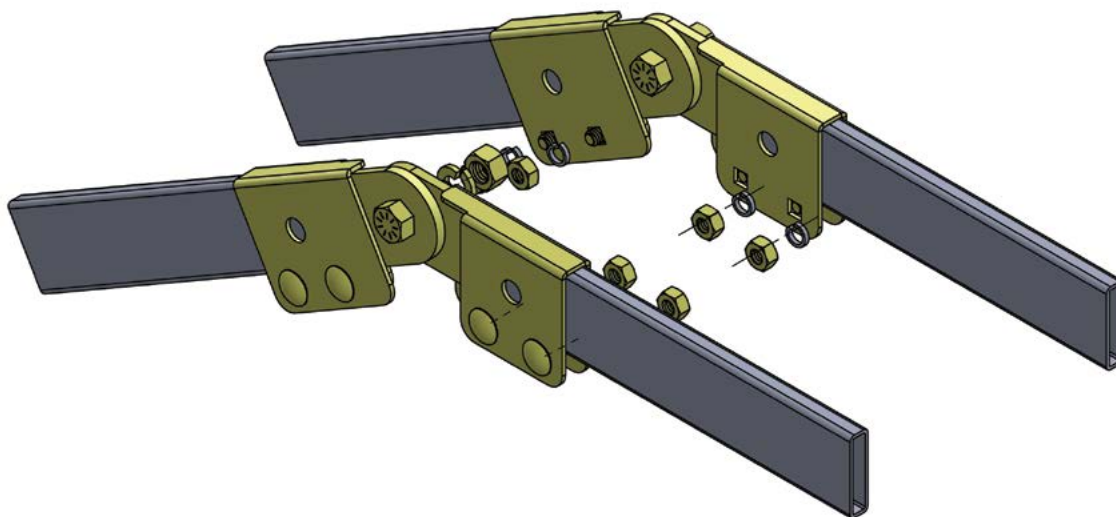
Butt Splice Kit: Swivel / Adjustable



Description

This kit is used to fasten cable sections end to end and is fully customizable to the bend you need. Our fully adjustable / swivel butt splice kit is offered in a set of 2 fully adjustable swivel clamps and comes complete with 1/4-20 bolt-on hardware. The components are constructed of high strength 14 Gauge steel and are RoHS compliant.

Technical Illustration



Product Specifications

Product Type: Butt Splice Kit: Swivel / Adjustable

Product Material: High Strength 14 Gauge Steel

Product Color: Black *(Additional Colors Available Through Special Order)*

Compliance & Standards: RoHS Compliant

Kit Includes: (2) Swivel / Adjustable Butt Splice Clamps and 1/4-20 Bolt-on Hardware

Ordering Information

Description	
Butt Splice Kit: Swivel / Adjustable For Cable Runway	
Item #	Width
VLR-ASSK	N/A