



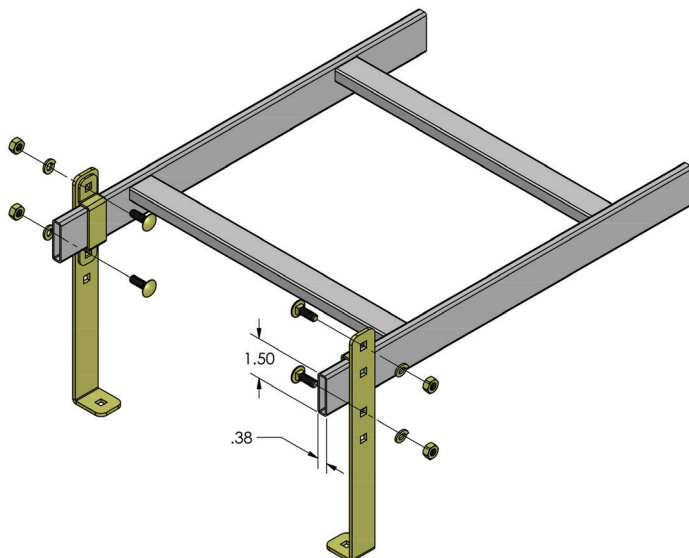
Standoff Elevation Kit: 4" - 6"



Description

This standoff elevation kit is used to hold cable ladder above a relay rack or cabinet. Our standoff elevation kit consists of 2 standoff elevation brackets, 2 ladder clamps and 4 sets of 1/4-20 mounting hardware. Made of heavy duty steel to hold the weight of the loaded ladder, this kit can be mounted to rack or plate. All components are RoHS Compliant.

Technical Illustration



Product Specifications

Product Type: Standoff Elevation Kit: 4" - 6"

Product Material (Strap Brackets): High Strength 14 Gauge Steel

Product Material (Elevation Bracket): High Strength 11 Gauge Steel

Product Color: Black (Additional Colors Available Through Special Order)

Compliance & Standards: RoHs Compliant

Kit Includes: (2) Stand-off Elevators, (2) Ladder Clamps, (4) Sets of 1/4-20 Mounting Hardware

Ordering Information

Description	
Standoff Elevation Kit For Cable Runway	
Item #	Adjustable Depth
VLR-A46SK	4" - 6"