



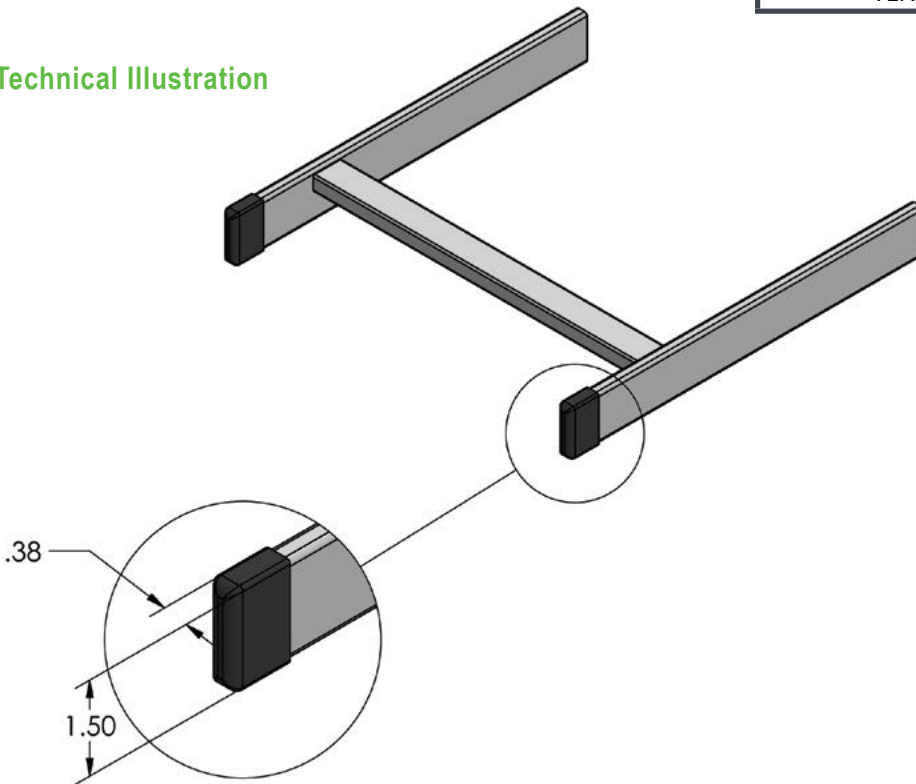
Ladder Rack End Cap Kit



Description

These end caps are used as an effective and cost efficient way to protect runway ends from being damaged. Our ladder rack end cap kit is offered as a set of 2.

Technical Illustration



TECHNICAL SHEETS ARE SUBJECT TO CHANGE WITHOUT NOTICE.

Product Specifications

Product Type: Ladder Rack End Cap Kit
Product Color: Black
Compliance & Standards: RoHS Compliant
Individual Product Dims: 1.5" x 0.38"
of End Caps Per Kit: 2

Ordering Information

Description	
Ladder Rack End Cap Kit For Cable Runway	
Item #	Individual Dims
VLR-A2EC	1.5" X 8.38"

REV.20250115.3