



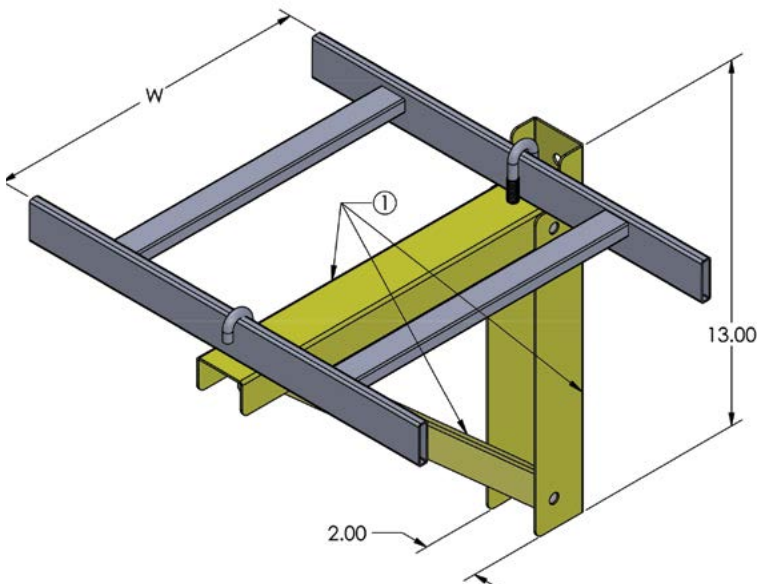
Triangle Wall Support Bracket



Description

This support bracket provides wall support for cable runway. Our triangle wall support bracket consists of a 3 piece modular assembly bracket. The components are constructed of high strength 14 gauge steel and once assembled offer a static load rating of 400 lbs.

Technical Illustration



Product Specifications

Product Type: Triangle Wall Support Bracket

Product Material: High Strength 14 Gauge Steel

Product Color: Black (Additional Colors Available Through Special Order)

Compliance & Standards: RoHs Compliant

Support Includes: (1) Modular Assembly Bracket (3 pc)

Static Load Rating: 400 lbs

Ordering Information

Description	
Triangle Wall Support Bracket For Cable Runway	
Item #	Width
VLR-A12TWS	12"