



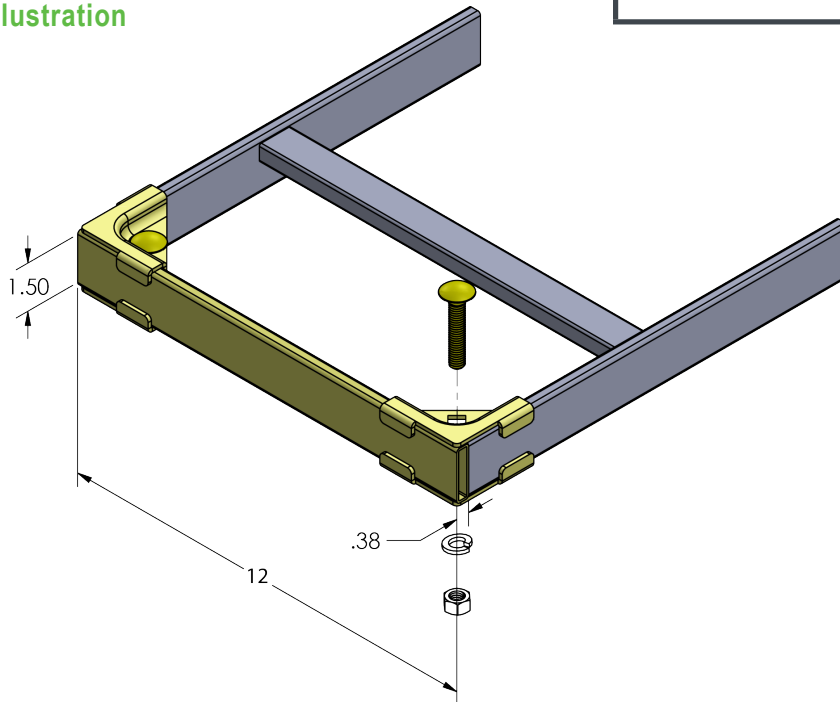
Ladder Rack Termination Kit



Description

The Ladder Rack Termination Kit closes off the end of a 12" wide ladder runway and prevents cables from snagging on the cut end of the ladder.

Technical Illustration



Product Specifications

**Product Type:** Ladder Rack Termination Kit

**Product Material:** 16-gauge tubular steel

**Product Color:** Black

**Compliance & Standards:** RoHS Compliant

**Kit Includes:** (1) ladder rung, (4) corner clamps, and 3/8" hardware

Ordering Information

Description
Ladder Rack Termination Kit
Item #
VLR-A12TK