



15" 45° Up Elbow



Description

Connects to a straight channel section to create a 45-degree upward angle from a horizontal run. Use with a 45-degree down elbow to change the elevation of a fiber routing system.

- Tool-free installation
- Maintains minimum cable bend radius requirements

Product Specifications

Material: Lightweight, flame-retardant PVC (V-0 rated)

Color: Yellow

Dimensions (L x W x H): 8.1" x 15.6" x 6.6"

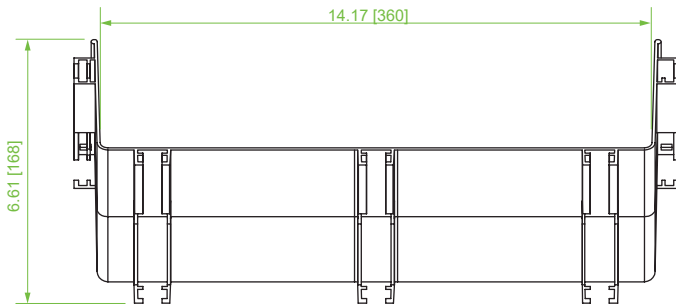
Weight: 0.99 lbs

Hardware: (2) VCT-360CNC couplers for connection
(sold separately)

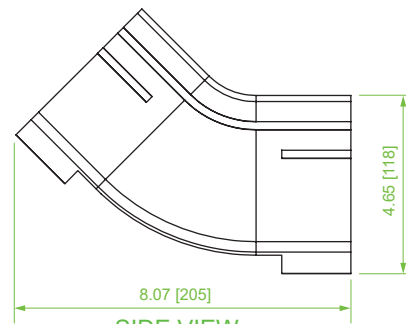
Compliance & Standards: UL2024 & UL94-V0

Selling Unit: 1 piece

Item Number	Description
VCT-360UE41	15" 45° Up Elbow
VCT-360UE41C	Cover for 15" 45° Up Elbow



BACK VIEW



SIDE VIEW