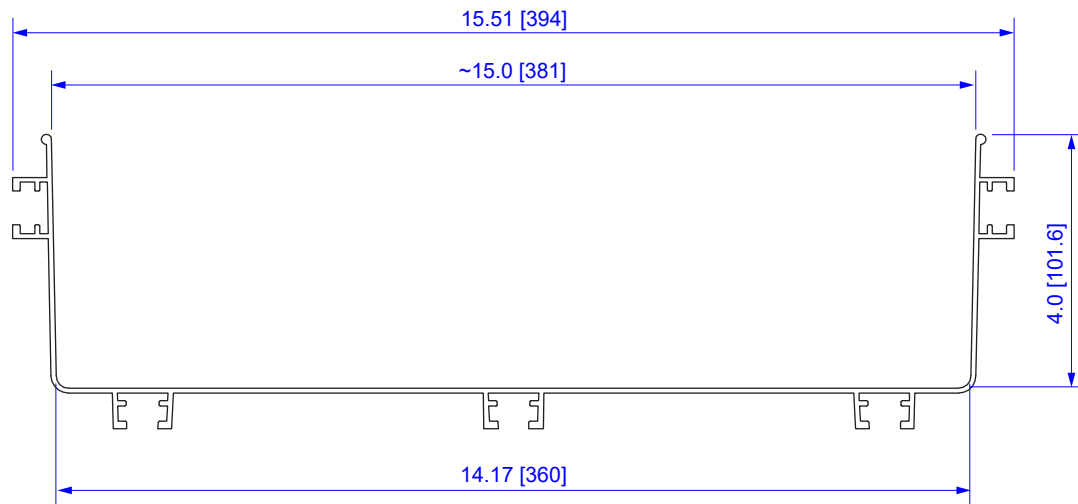
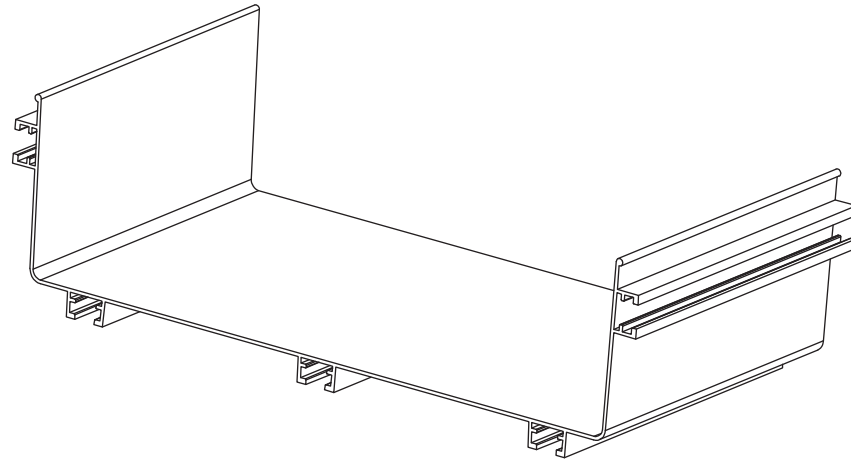
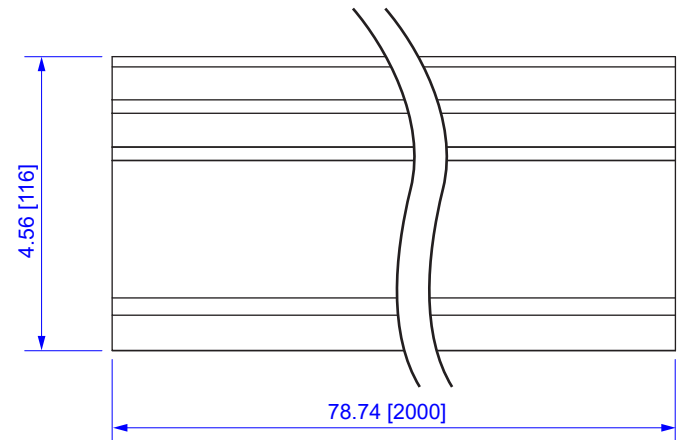


COMPLIANCE

UL 2024  
UL 94 V-0



END VIEW



SIDE VIEW

All dimensions in inches [mm]

ITEM NO.	VCT-360SCP						
DESCRIPTION	15" x 4" x 6.5' STRAIGHT CHANNEL						
DATE	07/22/2020	SCALE	none	SHEET	1 of 1	REV	