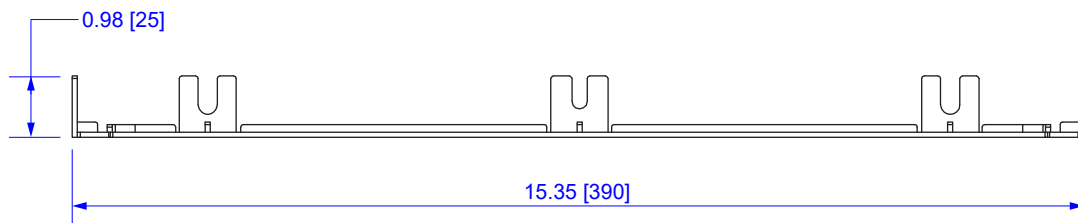
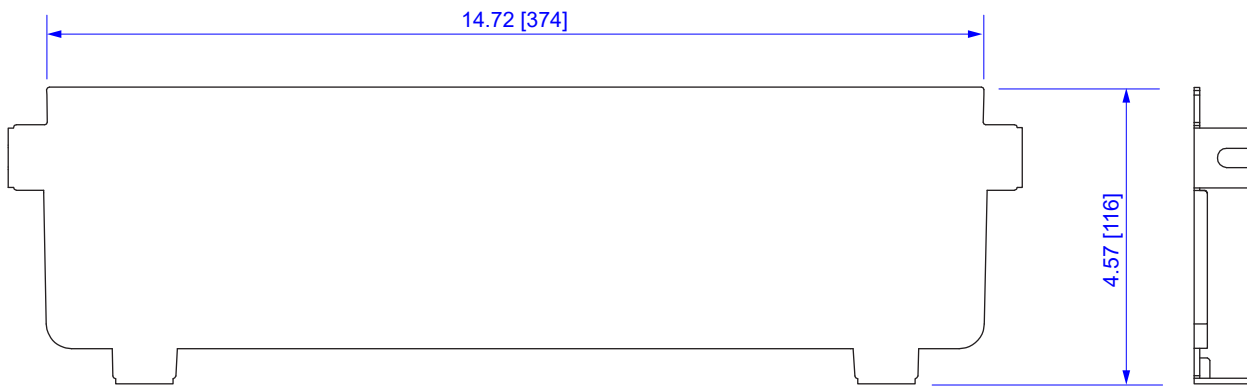
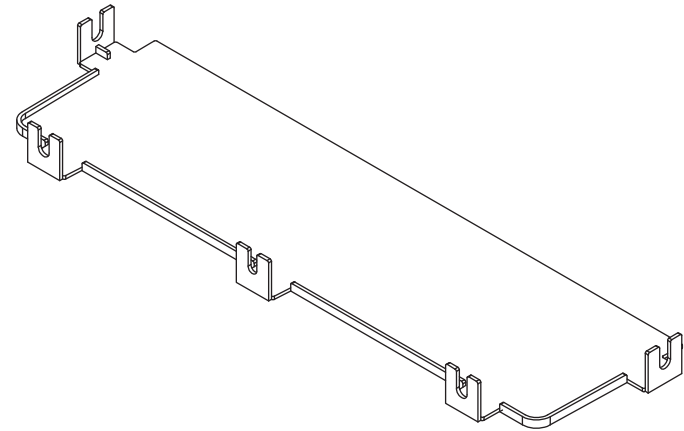


COMPLIANCE

UL 2024
UL 94 V-0



TOP VIEW



FRONT VIEW

SIDE VIEW

ITEM NO.	VCT-360EC						
DESCRIPTION	15" END CAP						
DATE	07/22/2020	SCALE	none	SHEET	1 of 1	REV	

All dimensions in inches [mm]