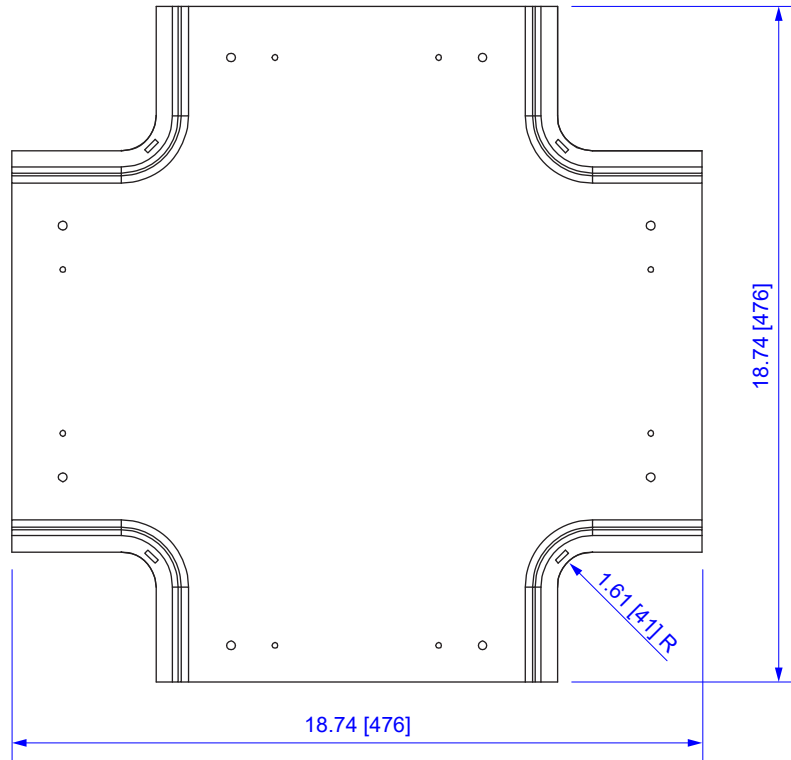
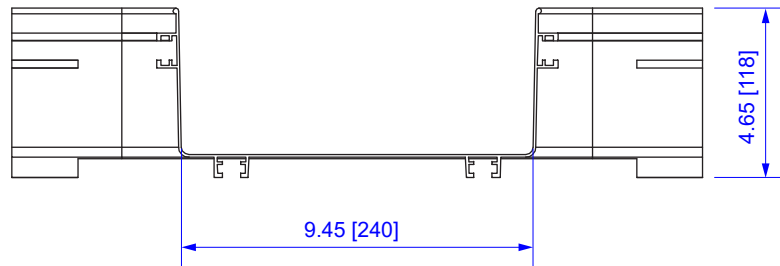
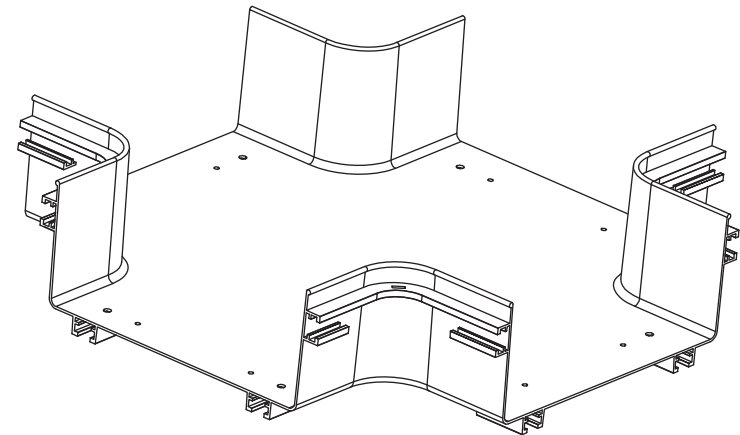


COMPLIANCE

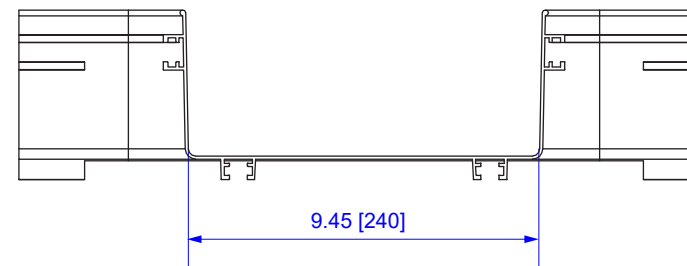
UL 2024  
UL 94 V-0



TOP VIEW



FRONT VIEW



SIDE VIEW

All dimensions in inches [mm]

ITEM NO.	VCT-240HC1						
DESCRIPTION	10" HORIZONTAL CROSS						
DATE	07/22/2020	SCALE	none	SHEET	1 of 1	REV	