



10" 45° Down Elbow



Description

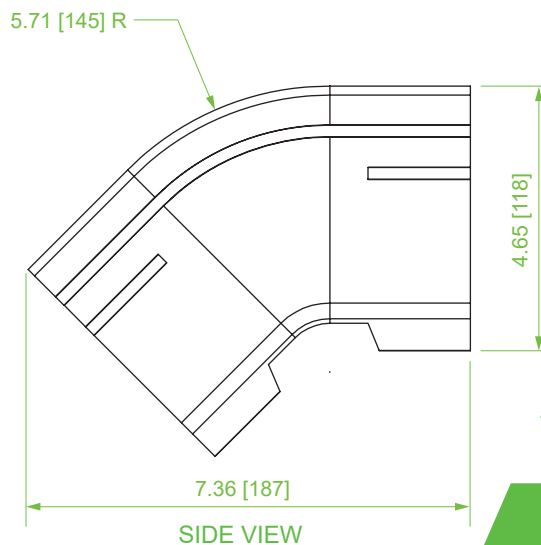
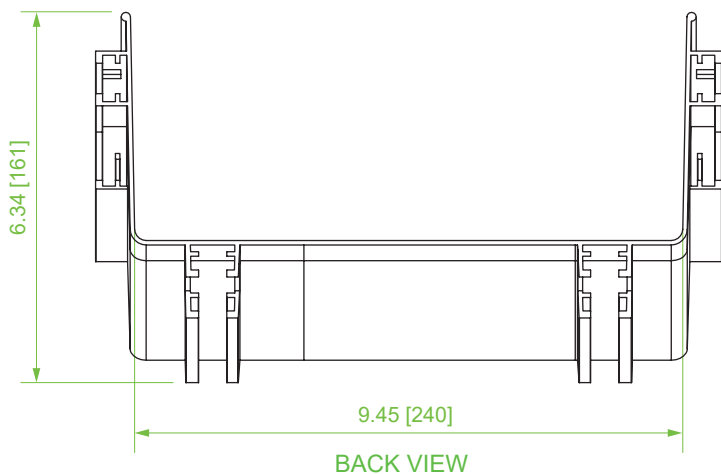
Connects to a 10" straight channel section to create a 45 degree downward angle from a horizontal run. Use with VCT-240UE41 45 degree up elbow to change the elevation of a fiber routing system.

- Tool-free installation
- Maintains minimum cable bend radius requirements

Product Specifications

Material: Lightweight, flame-retardant PVC (V-0 rated)
Color: Yellow
Dimensions (L x W x H): 7.4" x 10.9" x 6.3"
Weight: 0.79 lbs
Hardware: (2) VCT-240CNC couplers for connection (sold separately)
Compliance & Standards: UL2024 & UL94-V0
Selling Unit: 1 piece

Item Number	Description
VCT-240DE41	10" 45° Down Elbow
VCT-240DE41C	Cover for 10" 45° Down Elbow



TECHNICAL SHEETS ARE SUBJECT TO CHANGE WITHOUT NOTICE.

REV.20201007.1