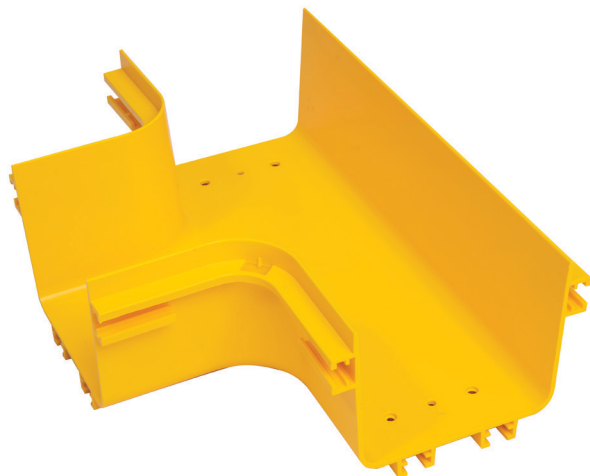




5" Horizontal Tee



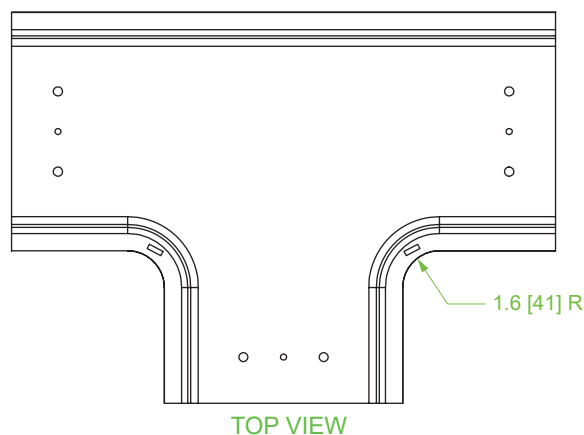
Product Specifications

- Material:** Lightweight, flame-retardant PVC (V-0 rated)
- Color:** Yellow
- Dimensions (L x W x H):** 13.9" x 10.1" x 4.6"
- Weight:** 1.61 lbs
- Hardware:** (3) VCT-120CNC couplers for connection (sold separately)
- Compliance & Standards:** UL2024 & UL94-V0
- Selling Unit:** 1 piece

Description

Horizontal tees connect to three 5" straight channel sections or other transitional fittings to create a horizontal branch in a fiber routing system.

- Tool-free installation
- Maintains minimum cable bend radius requirements



Item Number	Description
VCT-120HT1	5" Horizontal Tee
VCT-120HT1C	Cover for 5" Horizontal Tee

