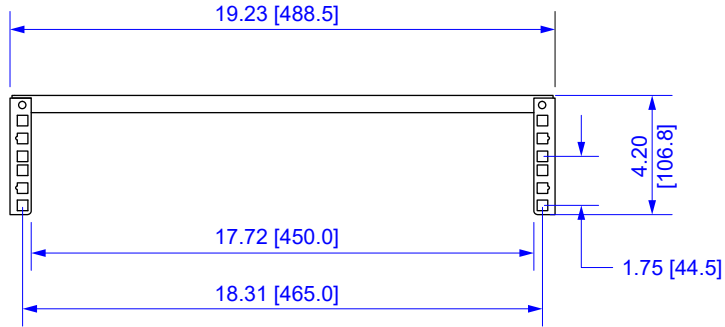
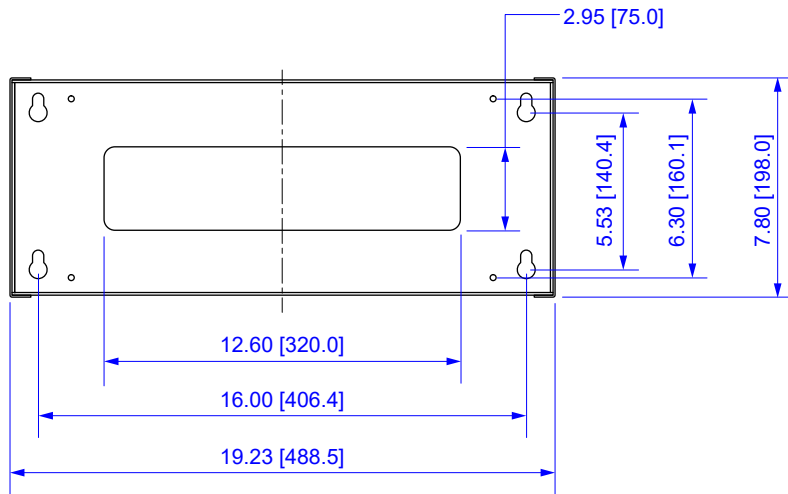
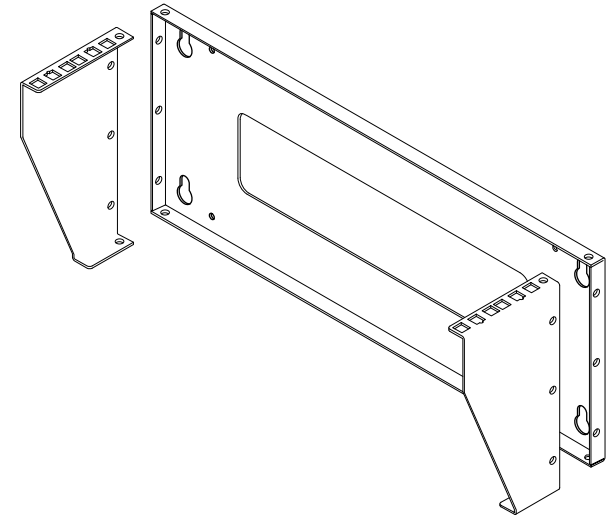


COMPLIANCE	ANSI/EIA RS-310D IEC60297-2 DIN41494; Part 1 DIN41494; Part 7
------------	--



TOP



FRONT



SIDE

No.	Description	Gauge	Qty
1	Back Plate	14	1
2	Side Bracket	14	2
3	M6 x 12mm Screws	N/A	20
4	M6 Flange Nuts	N/A	10
5	M6 Cage Nuts	N/A	10

ITEM NO.	VB2-021		VERICOM [®]	
DESCRIPTION	2U VERTICAL WALL MOUNT BRACKET			
DATE	SCALE	SHEET	REV	
06/26/2023	none	1 of 1	1	

All dimensions in inches [millimeters]