



## VGS™ Shielded CAT6 RJ45 Keystone Jack



### Applications

The Vericom VGS™ Shielded Category 6 RJ45 Keystone Jacks support 1000BASE-T (Gigabit Ethernet), 100BASE-T (Fast Ethernet), 155 Mb/s ATM, 622 Mb/s ATM, 1.2 Gb/s ATM, Digital video and broadband/baseband analog video, Voice over Internet Protocol (VoIP) and is backwards compatible with Category 5e systems. Compatible with IEEE 802.3af/802.3at (48 cables in a bundle) and 802.3bt type 3 and type 4 (24 cables in a bundle) PoE applications.

### Description / Specifications

The Vericom VGS™ Shielded Category 6 RJ45 Keystone Jacks are designed to meet and exceed ANSI/TIA-568.2-D Category 6 and ISO 11801 Class E electrical performance requirements for frequencies up to 250 MHz. These shielded keystone jacks are designed to manage crosstalk to provide superior performance with headroom for even the toughest installs. The VGS™ Shielded Category 6 Keystone Jacks provide a standard RJ-45 interface, contacts with minimum 50 microinches of gold, and a standard 110 punchdown for terminating horizontal cable.

Available in white with shielding but additional colors are available by special order. To maximize system performance, combine with Vericom patch panels, patch cords, and bulk cable.

### Features & Benefits

- Contacts provide minimum 50 microinches of gold plating for maximum system reliability.
- Zinc Alloy Die Casted Housing and Clip integrate with shielded cables to provide a conductive path to ground to eliminate external noise.
- Universal label shows T568A and T568B wiring for ease of use.
- 110 IDCs are technician friendly with a standard punchdown tool.
- Vericom NT1001 can be used for quick termination of all 8 conductors simultaneously.
- Vericom VGS™ Shielded Jacks can be installed with many shielded category 6 cables including but not limited to: S/FTP, F/UTP, and U/FTP.
- Supports PoE/PoE+ over 100 meter channels with 10 meters of 24 AWG patch cords included in the channel.
- Strain relief cap secures conductors and makes the installation more robust.
- Available in white with shielding. Additional colors are available by special order.

### Standards Compliance

- UL Listed
- TIA/EIA-568.2-D
- RoHS Compliant
- IEC 61156-5
- ISO/IEC 11801
- UL 1863 and CAN/CSA-C22.2
- ANSI/TIA-1096-A (formerly FCC Part 68)
- Supports IEEE 802.3AF/802.3AT (48 cables in a bundle) and 802.3bt type 3 and type 4 (24 cables in a bundle) PoE applications

### Related Products

VGS™ One Step Termination Tool



Item No. NT1001

REV.20230810.4

TECHNICAL SHEETS ARE SUBJECT TO CHANGE WITHOUT NOTICE.



## VGS6™ Shielded CAT6 RJ45 Keystone Jack

### Ordering Information

Item Number	Description
SPG6018WH	Shielded CAT6 RJ45 Keystone Jack

### Construction

**Housing:** High impact thermoplastic, UL94V-0 fire retardant

**Shielding:** Zinc Alloy Die Casted Housing and Clip

**IDC:** 110 type, phosphor bronze alloy with 100 µin 100% tin alloy

**Contacts:** Phosphor bronze alloy plated with 50 µin of gold over of nickel plating

### Mechanical

**Plug Retention:** 50 N (11 lbf)

**Mating Life Cycle:** Min 750 cycles

**Wire Compatibility:** 22 to 24 AWG (0.644 to 0.511 mm)

### Environmental Conditions

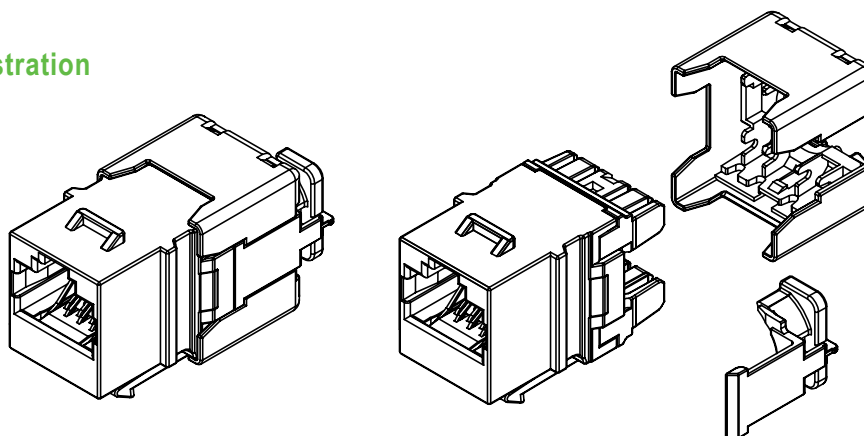
**Operating Temperature:** 14 °F to 140 °F (-10 °C to 60 °C)

**Storage Temperature:** -40 °F to 158 °F (-40 °C to 70 °C)

### Transmission Performance (at 20 °C)

Freq. (MHz)	IL Max. (dB)	NEXT Min. (dB)	FEXT Min. (dB)	RL Min. (dB)	Balanced TCL Min. (dB)
1.00	0.10	75.00	75.00	30.00	40.00
4.00	0.10	75.00	71.00	30.00	40.00
8.00	0.10	75.00	65.00	30.00	40.00
10.00	0.10	74.00	63.10	30.00	40.00
16.00	0.10	69.90	59.00	30.00	40.00
20.00	0.10	68.00	57.10	30.00	40.00
25.00	0.10	66.00	55.10	30.00	40.00
31.25	0.11	64.10	53.20	30.00	38.10
62.50	0.16	58.10	47.20	28.10	32.10
100.00	0.20	54.00	43.10	24.00	28.00
200.00	0.28	48.00	37.10	18.00	22.00
250.00	0.32	46.00	35.10	16.00	20.00

### Technical Illustration



TECHNICAL SHEETS ARE SUBJECT TO CHANGE WITHOUT NOTICE.

REV.2030810.4